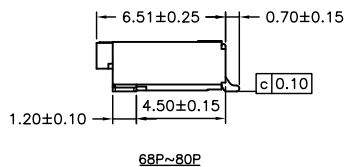
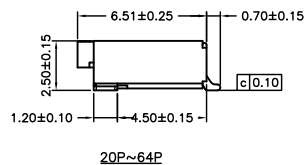
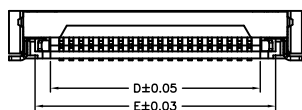
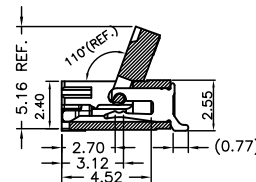
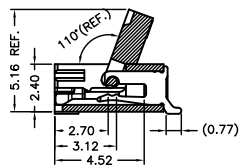
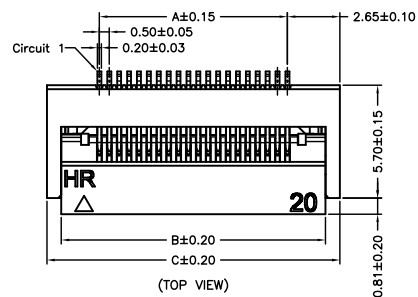


P/N LEGEND

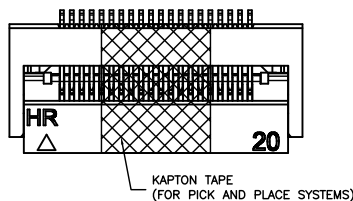
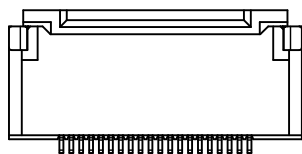
- F0513 WRA-S-XP N L N XX T 00 L
- ① ② ③ ④ ⑤ ⑥ ⑦ ⑧ ⑨ ⑩ ⑪
- ① Series No.
  - ② Connector type: WRA=Right angle A type
  - ③ Mounting type: S=SMT without boss
  - ④ No. of circuits
  - ⑤ N=Halogen Free
  - ⑥ Material: L=LCP
  - ⑦ Color: N=Natural(Beige)
  - ⑧ Plating code for contacts:  
G2=Gold-plated; T1=Tin-plated
  - ⑨ Plating code for solder tabs:  
T=Matte Tin-plated
  - ⑩ Option code: 00=Standard
  - ⑪ Packing code: L=Tape & Reel(With Mylar)

SPECIFICATIONS

Current Rating: 0.5A AC,DC  
 Voltage Rating: 50V AC,DC  
 Temperature Range: -25°C ~ +85°C  
 Contact Resistance: 30mΩ Max.  
 Insulation Resistance: 100MΩ Min.  
 Withstanding Voltage: 250V AC/minute  
 Contacts: Phosphor Bronze/Gold-plated or Tin-plated  
 Solder Tabs: Brass/Matte Tin-plated  
 Housing: LCP,UL94V-0,Natural(Beige)  
 Cover: LCP,UL94V-0,Natural(Black)



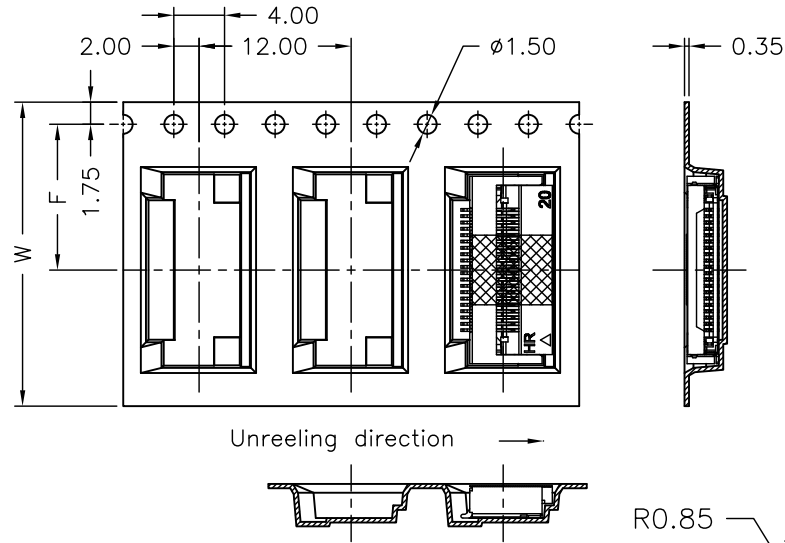
Circuit No.	Dimensions				
	A	B	C	D	D
20P	9.50	13.35	14.80	10.60	12.15
30P	14.50	18.35	19.80	15.60	17.15
40P	19.50	23.35	24.80	20.60	22.15
50P	24.50	28.35	29.80	25.60	27.15
55P	27.00	30.85	32.30	28.10	29.65
60P	29.50	33.35	34.80	30.60	32.15
64P	31.50	35.35	36.80	32.60	34.15
68P	33.50	37.35	38.80	34.60	36.15
80P	39.50	43.35	44.80	40.60	42.15



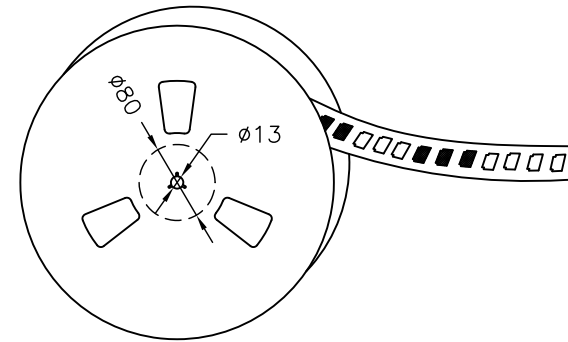
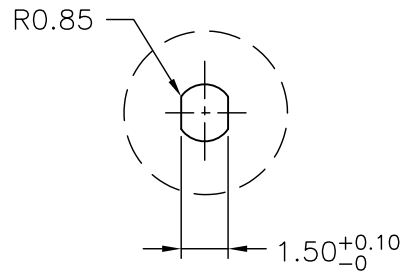
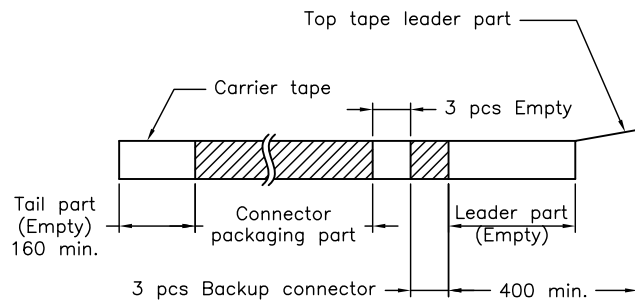
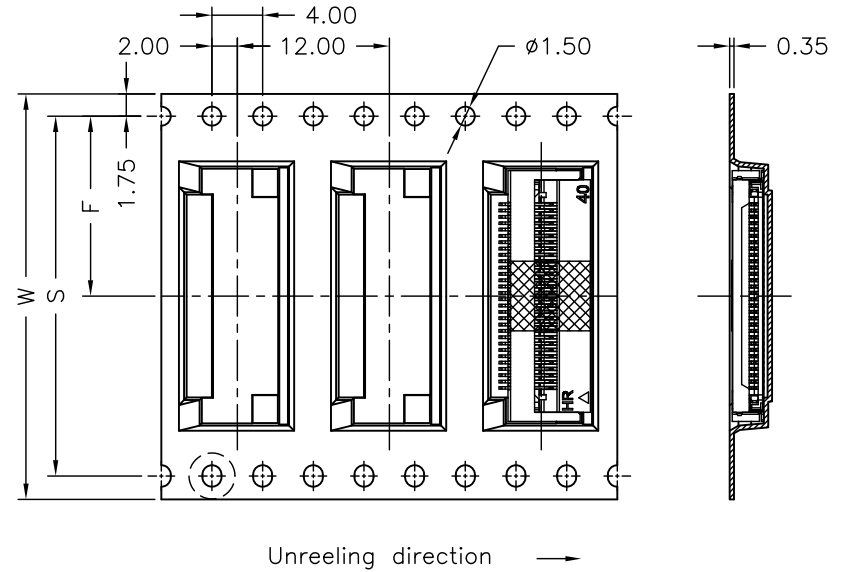
燦達電子工業股份有限公司 JOINT TECH ELECTRONIC IND. CO., LTD.				UNIT	SCALE	SHEET	TITLE:
				mm	1 : 1	1 of 2	
DRAWN BY		APPROVED BY		0.50mm PITCH FFC/FPC CONNECTOR, 90° SMT TYPE, BOTTOM CONTACT STYLE			
王小蘭		董正一					
2010.01.19		2010.01.19		GENERAL TOLERANCE ANGLE±			
A3	EN1102210034	2011.02.21	權生新	X.X±0.25	DRAW NO. : F0513WRA-S-XPXXXXXXX		
A2	EN1009080230	2010.09.08	權生新	X.XX±0.15			
REV.	DESCRIPTION	DATE	NAME	X.XXX±0.05	REV. A3		



20 Contacts



30~80 Contacts



NOTE:

Material: Transparent Anti-static Polystyrene.

Number of Contacts	W±0.3	F±0.1	S±0.1	Q'ty/Reel
20P	24	11.50	---	1,500
30P	32	14.20	28.40	1,500
40P	44	20.20	40.40	1,500
50P	44	20.20	40.40	1,500
55P	44	20.20	40.40	1,500
60P	56	26.20	52.40	1,500
64P	56	26.20	52.40	1,500
68P	56	26.20	52.40	1,500
80P	72	34.20	68.40	1,500

				燦達電子工業股份有限公司 JOINT TECH ELECTRONIC IND. CO., LTD.	
UNIT		SCALE	SHEET		
mm		1 : 1	2 of 2		
DRAWN BY		APPROVED BY			
王小蘭		董正一			
2010.01.19		2010.01.19			
GENERAL TOLERANCE					
A3	EN1102210034	2011.02.21	權生新	X.X±0.25	ANGLE±
A2	EN1009080230	2010.09.08	權生新	X.XX±0.15	
REV.	DESCRIPTION	DATE	NAME	X.XXX±0.05	
DRAW NO. : F0513WRA-S-XPXXXXXXX					REV. A3

TITLE:  
0.50mm PITCH FFC/FPC  
CONNECTOR, 90° SMT TYPE,  
BOTTOM CONTACT STYLE,  
TAPING SPEC.