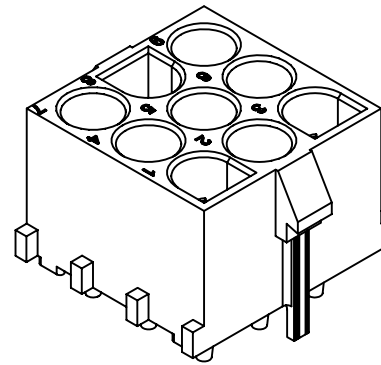


P.C.B LAYOUT



P/N LEGEND

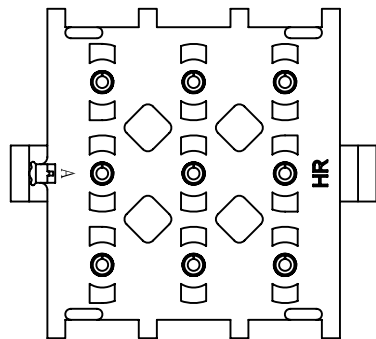
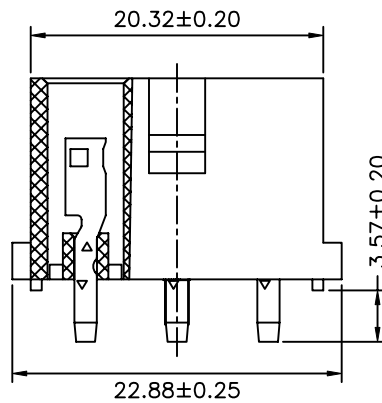
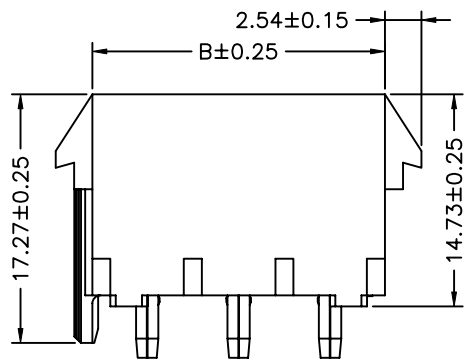
C6350	WV-F-3XNP	FV0
①	② ③ ④	⑤
① Series No.	② Connector type: WV=Vertical	⑤ FV0=F type, Nylon 66,UL94V-0, White
	③ Mounting type: F=With foot	
	④ No. of circuits	

SPECIFICATIONS

Current Rating: 15A AC,DC
 Voltage Rating: 600V AC,DC
 Temperature Range: -25°C ~ +85°C
 Contact Resistance: 3.5mΩ Max
 Insulation Resistance: 1000MΩ Min
 Withstanding Voltage: 2900V AC/minute
 Pin Material: Brass/Tin-plated
 Material: Nylon 66,UL94V-0
 Color: White

Ordering Information & Dimensions

PART NO.	Dimensions	
	A	B
C6350WV-F-3X02PFV0	6.35	13.97
C6350WV-F-3X03PFV0	12.70	20.32
C6350WV-F-3X04PFV0	19.05	26.67
C6350WV-F-3X05PFV0	25.40	33.02



燦達電子工業股份有限公司
 JOINT TECH ELECTRONIC IND. CO., LTD.

UNIT: mm
 SCALE: 1:1
 SHEET: 1 of 1
 DRAWN BY: 李勤
 2006.02.25
 APPROVED BY: 董正一
 2006.02.25

TITLE:
 6.35mm PITCH
 180° TRIPLE ROW WAFER,
 POLARIZING PEG,
 FEMALE TYPE

REV.	DESCRIPTION	DATE	NAME	GENERAL TOLERANCE	ANGLE
A2	EN1703020002	2017.03.13	賴永強	X.X±0.25	ANGLE±
A1	REVISE	2007.09.14	歐陽小強	X.XX±0.15	
A0	NEW RELEASE	2006.02.25	李勤	X.XXX±0.05	

DRAW NO.: C6350WV-F-3XNPFV0
 REV. A2