



P/N LEGEND

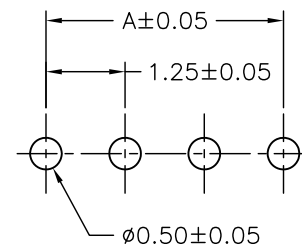
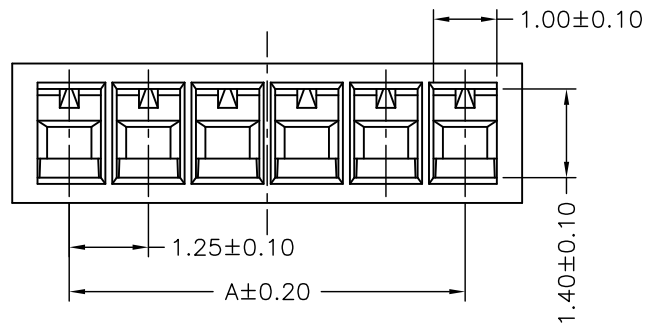
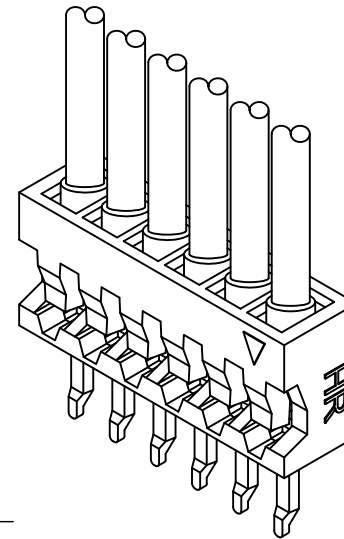
B1259 HV-XP N 0 W NP N 00 G
 ① ② ③ ④ ⑤ ⑥ ⑦ ⑧ ⑨ ⑩

- ① Series No.
- ② Connector type: HV=Vertical
- ③ No. of circuits
- ④ N=Halogen Free
- ⑤ Material: 0=Nylon 66-V0
- ⑥ Color: W=White
- ⑦ Plating code: NP=Non-plating
- ⑧ Plating code: N=Non-plating
- ⑨ Option code: 00=Normal
- ⑩ Packing code: G=Bag

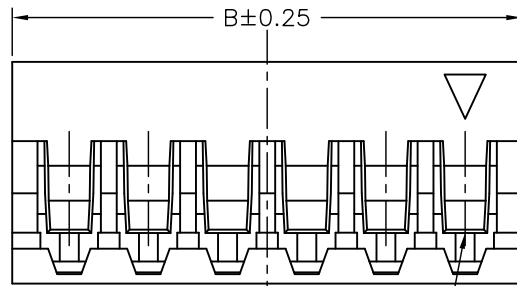
SPECIFICATIONS

Current Rating: 1A AC,DC
 Voltage Rating: 125V AC,DC
 Temperature Range: -25°C ~ +85°C
 Contact Resistance: 20mΩ Max.
 Insulation Resistance: 100MΩ Min.
 Withstanding Voltage: 500V AC/minute
 Material: Nylon 66,UL94V-0
 Color: Natural(White)

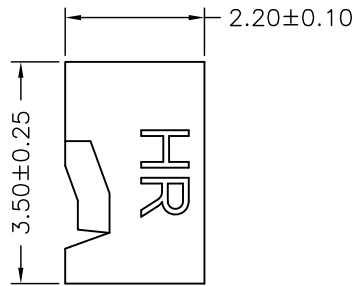
Circuit No.	Dimensions	
	A	B
02P	1.25	3.05
03P	2.50	4.30
04P	3.75	5.55
05P	5.00	6.80
06P	6.25	8.05
07P	7.50	9.30
08P	8.75	10.55
09P	10.00	11.80
10P	11.25	13.05
11P	12.50	14.30
12P	13.75	15.55
13P	15.00	16.80
14P	16.25	18.05
15P	17.50	19.30



SUGGESTED PCB LAYOUT
(COMPONENT SIDE)



Circuit 1



燦達電子工業股份有限公司
 JOINT TECH ELECTRONIC IND. CO., LTD.

UNIT: mm SCALE: 1:1 SHEET: 1 of 1

DRAWN BY: 童冠銘 DATE: 2011.03.04
 APPROVED BY: 董正一 DATE: 2011.03.04

GENERAL TOLERANCE

X. X±0.25 ANGLE±
 X. XX±0.15
 X. XXX±0.05

TITLE:
 1.25mm PITCH
 180° HOUSING,
 BOARD-IN CONNECTOR
 DRAW NO.: B1259HV-XPXXXXXXX REV. A0