



P/N LEGEND

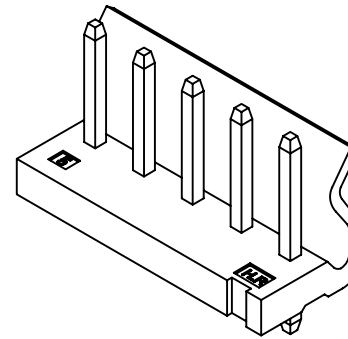
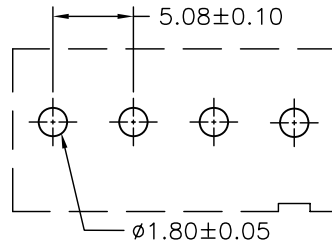
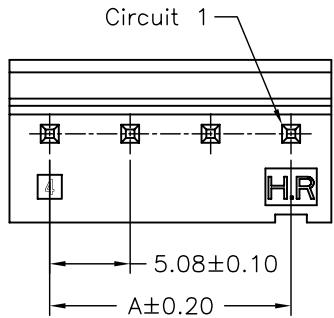
<b>A5081</b>	<b>WV</b>	<b>-XP</b>	<b>N</b>	<b>0</b>	<b>W</b>	<b>T1</b>	<b>N</b>	<b>01</b>	<b>G</b>
①	②	③	④	⑤	⑥	⑦	⑧	⑨	⑩

① Series No.  
 ② Connector type: WV=Vertical  
 ③ No. of circuits  
 ④ N=Halogen Free  
 ⑤ Material: 0=Nylon 66-V0  
 ⑥ Color: W=White  
 ⑦ Plating code for contacts: T1=Tin-plated  
 ⑧ Plating code: N=Non-plating  
 ⑨ Option code:  
 01=Nylon 66+GF15%, With pink kink  
 ⑩ Packing code: G=Bag

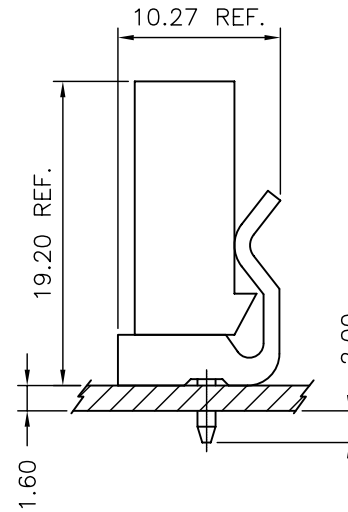
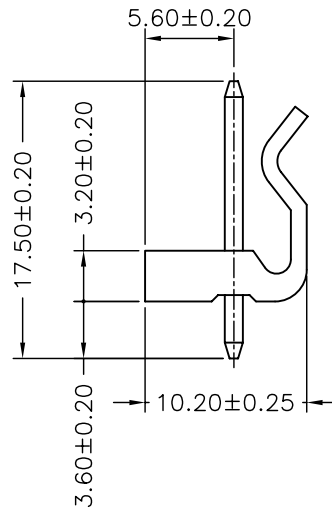
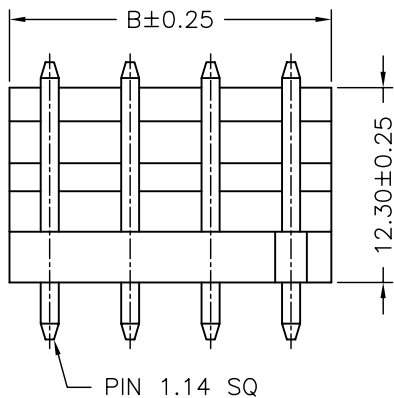
SPECIFICATIONS

Current Rating: 7A AC,DC  
 Voltage Rating: 250V AC,DC  
 Temperature Range: -25°C ~ +85°C  
 Contact Resistance: 10mΩ Max  
 Insulation Resistance: 1000MΩ Min  
 Withstanding Voltage: 1500V AC/minute  
 Pin Material: Brass/Tin-plated

Circuit No.	Dimensions		Circuit No.	Dimensions	
	A	B		A	B
02P	5.08	10.16	12P	55.88	60.96
03P	10.16	15.24	13P	60.96	66.04
04P	15.24	20.32	14P	66.04	71.12
05P	20.32	25.40	15P	71.12	76.20
06P	25.40	30.48	16P	76.20	81.28
07P	30.48	35.56	17P	81.28	86.36
08P	35.56	40.64	18P	86.36	91.44
09P	40.64	45.72	19P	91.44	96.52
10P	45.72	50.80	20P	96.52	101.60
11P	50.80	55.88			



P.C.B LAYOUT



燦達電子工業股份有限公司  
 JOINT TECH ELECTRONIC IND. CO., LTD.

UNIT	SCALE	SHEET
mm	1 : 1	1 of 1
DRAWN BY	APPROVED BY	
郭木恩	謝瑞清	
2013.01.22	2013.01.22	
GENERAL TOLERANCE		
X. X±0.25	ANGLE±	
X. XX±0.15	▽	
X. XXX±0.05	⊕	

TITLE:	
5.08mm PITCH 180° WAFER	
DRAW NO. :	REV. A0
A5081WV-XPXXXXXXX	