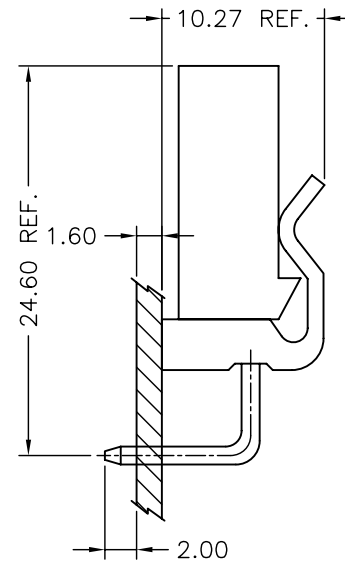
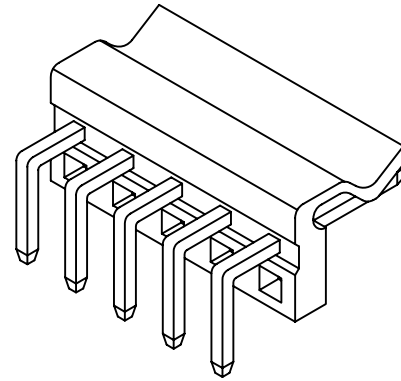
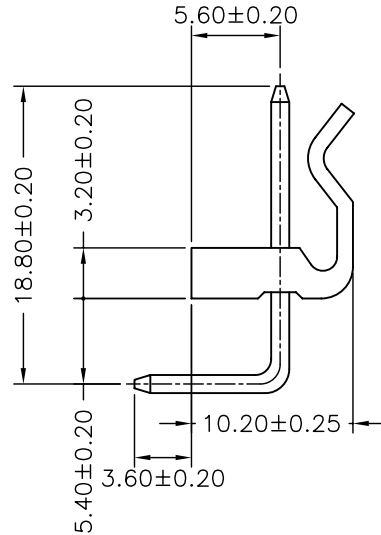
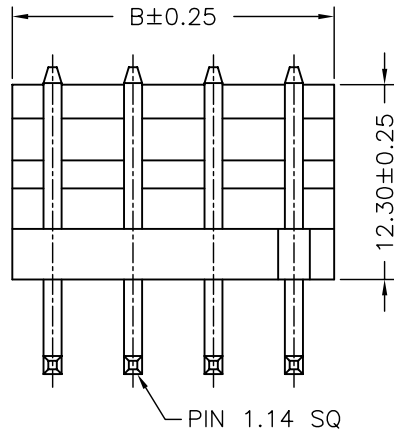


P.C.B LAYOUT



P/N LEGEND

A5081	WR	XP	N	2	N	T1	N	00	G
①	②	③	④	⑤	⑥	⑦	⑧	⑨	⑩

① Series No.  
 ② Connector type: WR=Right angle  
 ③ No. of circuits  
 ④ N=Halogen Free  
 ⑤ Material: 2=Nylon 66-V2  
 ⑥ Color: N=Natural(Translucent)  
 ⑦ Plating code for contacts: T1=Tin-plated  
 ⑧ Plating code: N=Non-plating  
 ⑨ Option code:  
 00=Standard  
 ⑩ Packing code: G=Bag

SPECIFICATIONS

Current Rating: 7A AC,DC  
 Voltage Rating: 250V AC,DC  
 Temperature Range: -25°C ~ +85°C  
 Contact Resistance: 10mΩ Max  
 Insulation Resistance: 1000MΩ Min  
 Withstanding Voltage: 1500V AC/minute  
 Pin Material: Brass

Circuit No.	Dimensions		Circuit No.	Dimensions	
	A	B		A	B
02P	5.08	10.16	12P	55.88	60.96
03P	10.16	15.24	13P	60.96	66.04
04P	15.24	20.32	14P	66.04	71.12
05P	20.32	25.40	15P	71.12	76.20
06P	25.40	30.48	16P	76.20	81.28
07P	30.48	35.56	17P	81.28	86.36
08P	35.56	40.64	18P	86.36	91.44
09P	40.64	45.72	19P	91.44	96.52
10P	45.72	50.80	20P	96.52	101.60
11P	50.80	55.88			



燦達電子工業股份有限公司  
 JOINT TECH ELECTRONIC IND. CO., LTD.

UNIT	SCALE	SHEET
mm	1 : 1	1 of 1
DRAWN BY	APPROVED BY	
郭木恩	張子波	
2013. 11. 13	2013. 11. 13	
GENERAL TOLERANCE		
X. X±0. 25	ANGLE±	
X. XX±0. 15		
X. XXX±0. 05		

TITLE:	5.08mm PITCH 90° WAFER	DRAW NO. : A5081WR-XPXXXXXXX	REV. A0