

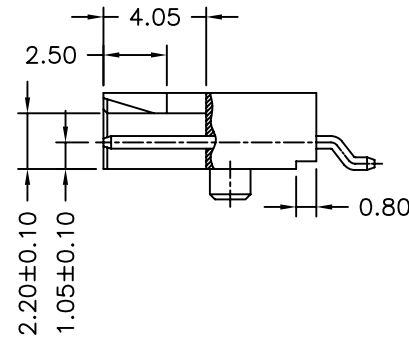
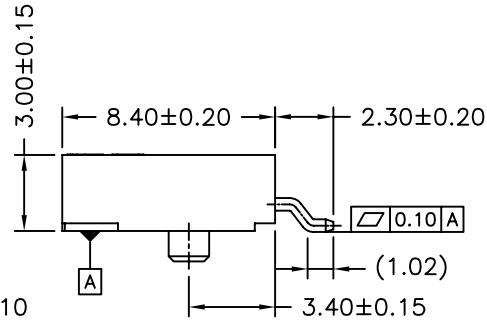
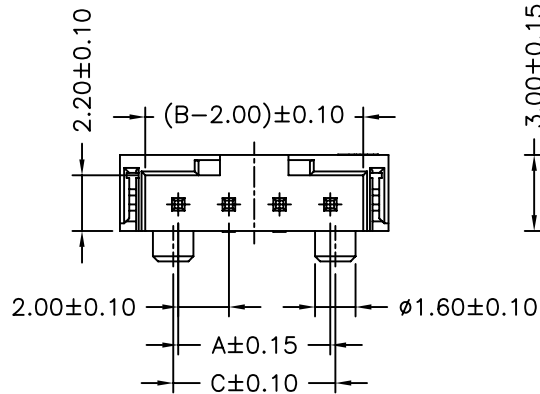
P/N LEGEND

A2014	WR	SF	XP	N	L	N	G1	N	00	L
①	②	③	④	⑤	⑥	⑦	⑧	⑨	⑩	⑪

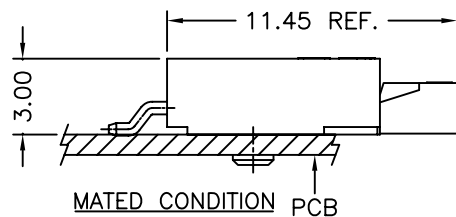
① Series No.  
② Connector type: WR=Right angle  
③ Mounting type: SF=SMT with boss  
④ No. of circuits  
⑤ N=Halogen Free  
⑥ Material: L=LCP  
⑦ Color: N=Natural(Beige)  
⑧ Plating code for contacts: G1=Gold-flash  
⑨ Plating code: N=Non-plating  
⑩ Option code: 00=Standard  
⑪ Packing code: L=Tape & Reel(With Mylar)

SPECIFICATIONS

Current Rating: 3A AC,DC  
Voltage Rating: 250V AC,DC  
Temperature Range: -25°C ~ +85°C  
Contact Resistance: 30mΩ Max.  
Insulation Resistance: 1000MΩ Min.  
Withstanding Voltage: 500V AC/minute  
Pin Material: Brass/Gold-flash  
Material: LCP,UL94V-0  
Color: Natural(Beige)



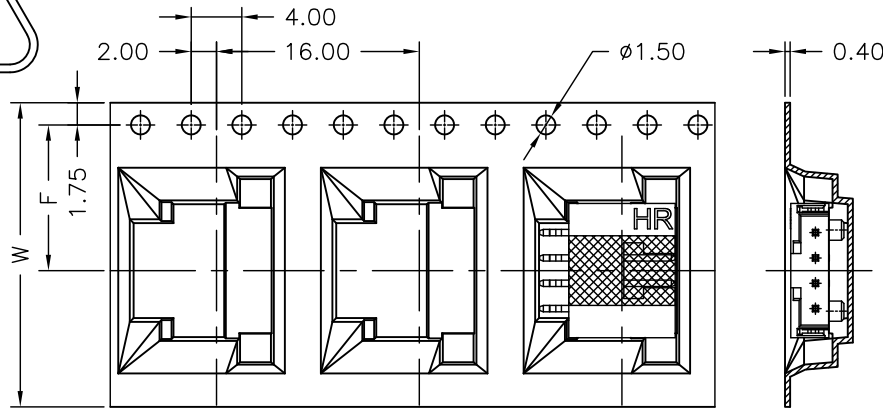
Circuit No.	Dimensions		
	A	B	C
04P	6.00	10.60	6.40
05P	8.00	12.60	8.40
06P	10.00	14.60	10.40
08P	14.00	18.60	14.40



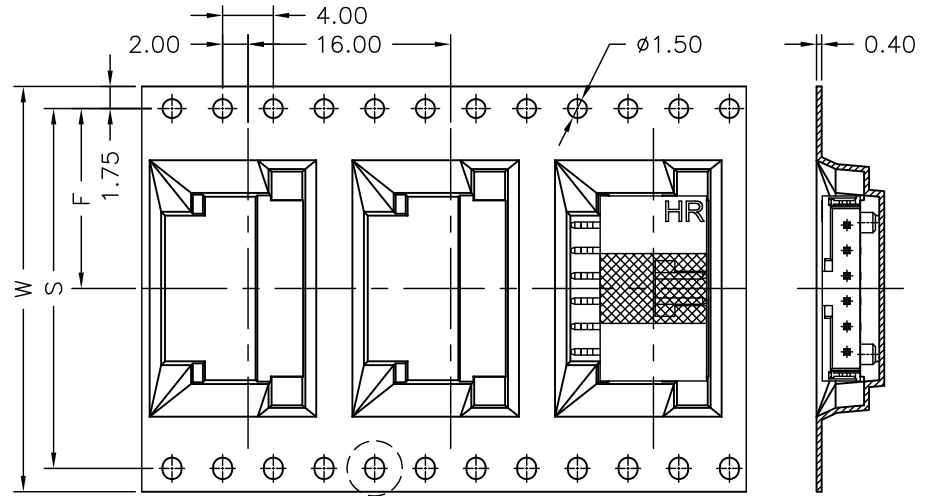
				燦達電子工業股份有限公司 JOINT TECH ELECTRONIC IND. CO., LTD.	
UNIT	SCALE	SHEET	TITLE:		
mm	1 : 1	1 of 2	2.00mm PITCH 90° WAFER-SMT TYPE		
DRAWN BY	APPROVED BY				
陳敏	董正一		DRAW NO. : A2014WR-SF-XPXXXXXXXXX		
2009.12.09	2009.12.09				
GENERAL TOLERANCE			REV. A1		
A1	EN1103030044	2011.02.22			
A0	NEW RELEASE	2009.12.09	陳敏	X.XX±0.15	
REV.	DESCRIPTION	DATE	NAME	X.XXX±0.05	



04~06 Contacts

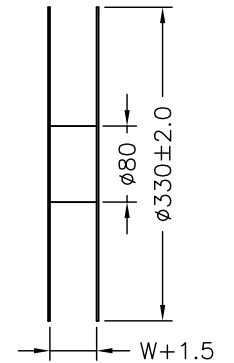
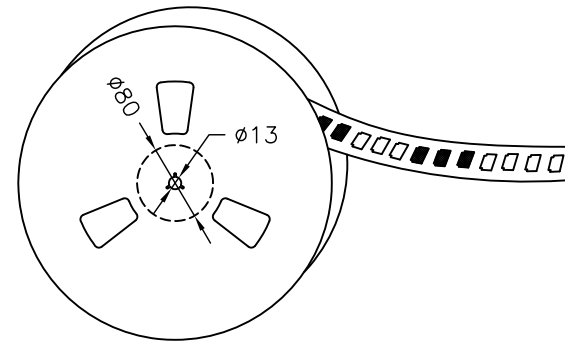
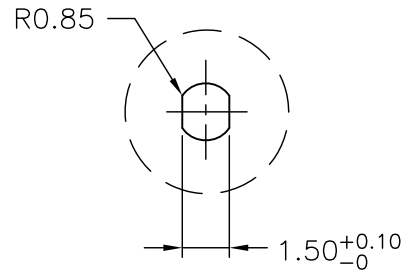
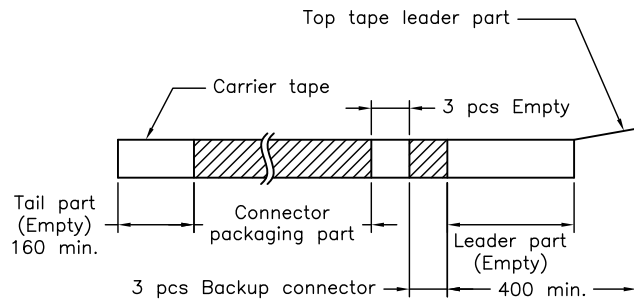
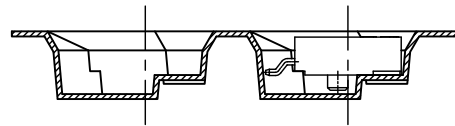


08 Contacts



Unreeling direction →

Unreeling direction →



NOTE:

Material: Transparent Anti-static Polystyrene.

Number of Contacts	W±0.3	F±0.1	S±0.1	Q'ty/Reel
04P	24	11.50	/	800
05P	24	11.50		800
06P	32	14.20	28.40	800
08P	44	20.20	40.40	800



燦達電子工業股份有限公司  
JOINT TECH ELECTRONIC IND. CO., LTD.

UNIT: mm SCALE: 1:1 SHEET: 2 of 2

DRAWN BY: 陳敏 DATE: 2010.01.04  
APPROVED BY: 董正一 DATE: 2010.01.04

GENERAL TOLERANCE

A1: X.X±0.25 ANGLE±  
A0: X.XX±0.15  
REV.: X.XXX±0.05

TITLE:  
2.00mm PITCH  
90° WAFER-SMT TYPE,  
TAPING SPEC.

DRAW NO.: A2014WR-SF-XPNXXXXXXXXX REV. A1