

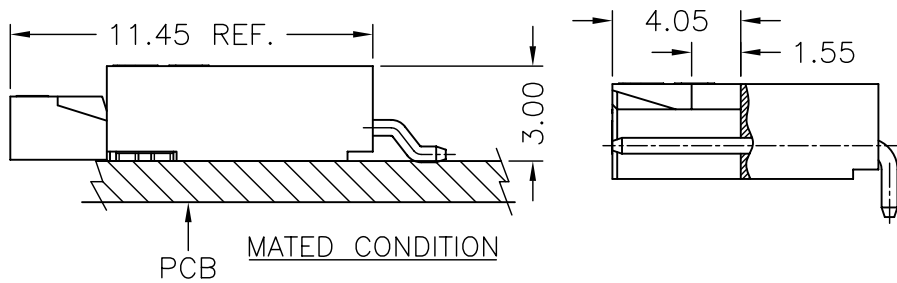
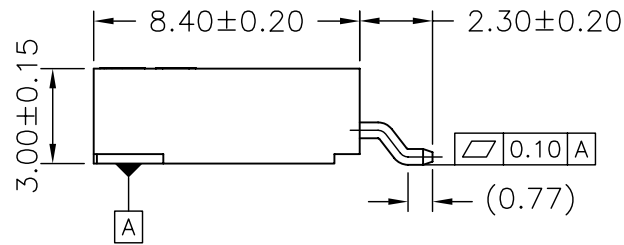
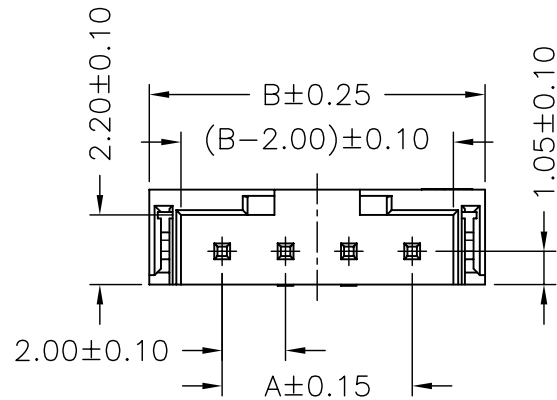
P/N LEGEND


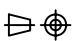
A2014 WR -S-XP XXX				
①	②	③	④	⑤
① Series No.				
② Connector type: WR=Right angle				
③ Mounting type: S=SMT without boss				
④ No. of circuits				
⑤ Option code: Blank = Normal Type				

SPECIFICATIONS

Current Rating: 3A AC,DC
Voltage Rating: 250V AC,DC
Temperature Range: -25°C ~ +85°C
Contact Resistance: 30mΩ Max.
Insulation Resistance: 1000MΩ Min.
Withstanding Voltage: 500V AC/minute
Pin Material: Brass/Gold-flash
Material: LCP,UL94V-0
Color: Natural(Beige)

Circuit No.	Dimensions	
	A	B
04P	6.00	10.60
06P	10.00	14.60
08P	14.00	18.60



				 燦達電子工業股份有限公司 JOINT TECH ELECTRONIC IND. CO., LTD.	
UNIT	SCALE	SHEET			
mm	1 : 1	1 of 2		2.00mm PITCH 90° WAFER-SMT TYPE DRAW NO.: A2014WR-S-XP REV. A0	
DRAWN BY		APPROVED BY			
周傑亮		謝瑞清			
2012.11.12		2012.11.12			
GENERAL TOLERANCE				ANGLE±	
X. X±0.25		X. XX±0.15			
X. XXX±0.05					
A0	NEW RELEASE	2012.11.12	周傑亮		
REV.	DESCRIPTION	DATE	NAME		

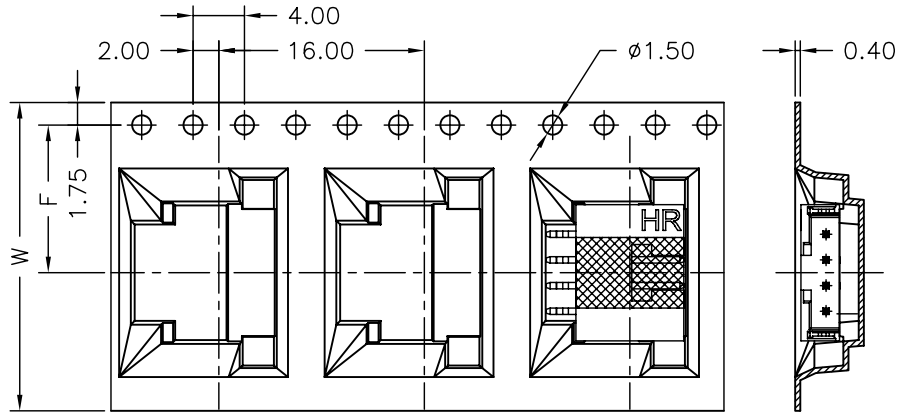
1

2

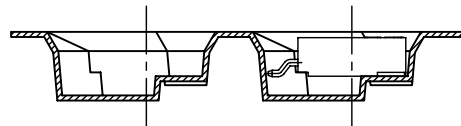
3

4

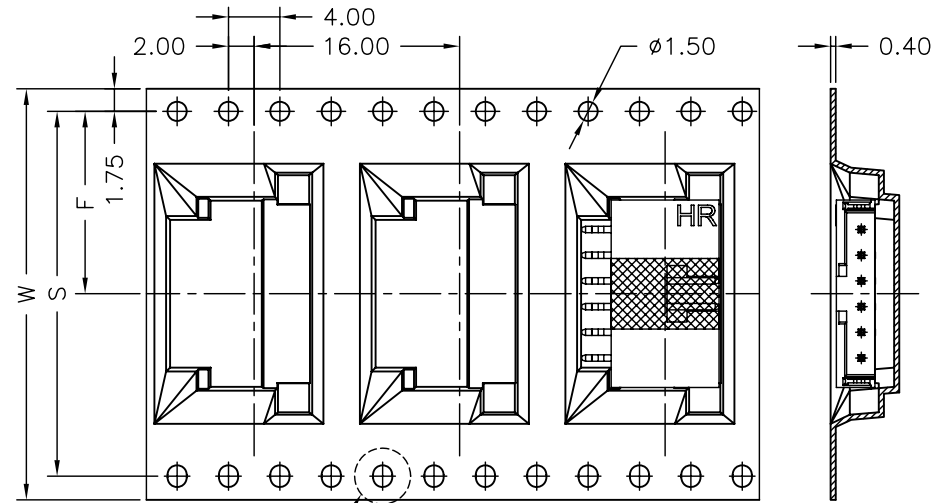
04 Contacts



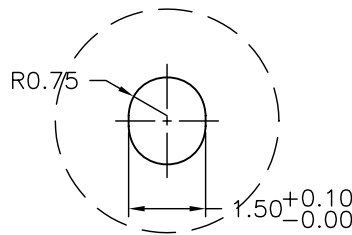
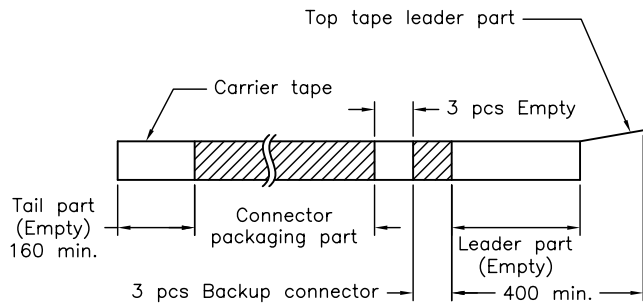
Unreeling direction →



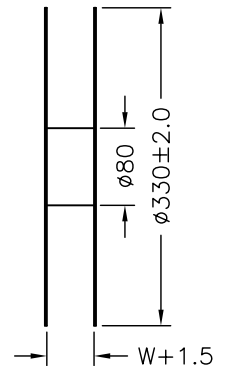
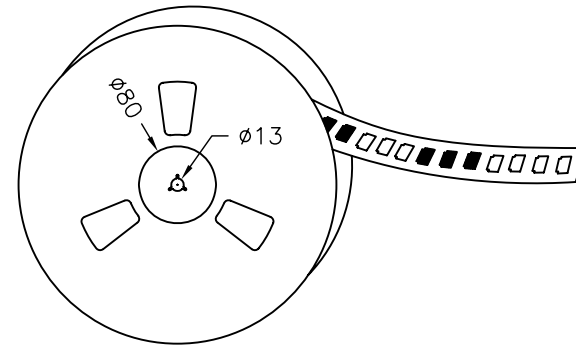
06~08 Contacts



A Unreeling direction →



DETAIL "A"
SCALE 4:1



Number of Contacts	W±0.3	F±0.1	S±0.1	Q'ty/Reel
04P	24	11.50	28.40	800
06P	32	14.20	40.40	800
08P	44	20.20		800

				<p>燦達電子工業股份有限公司 JOINT TECH ELECTRONIC IND. CO., LTD.</p>				
						UNIT: mm	SCALE: 1:1	SHEET: 2 of 2
				DRAWN BY: 周傑亮		APPROVED BY: 謝瑞清		
				2012.11.12		2012.11.12		
				GENERAL TOLERANCE				
				X. X±0.25		ANGLE±		
				X. XX±0.15				
				X. XXX±0.05				
REV.	DESCRIPTION	DATE	NAME	DRAW NO. : A2014WR-S-XP				REV. A0

2.00mm PITCH
90° WAFER, TAPING SPEC.