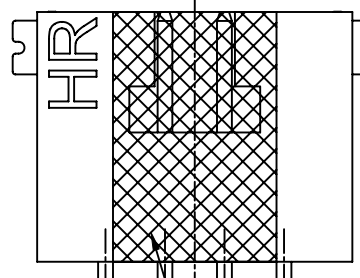
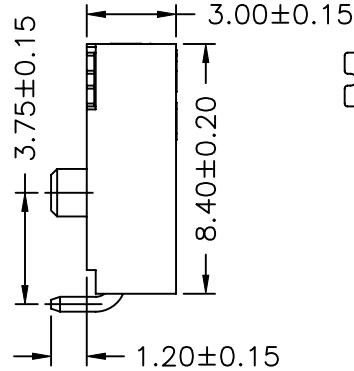
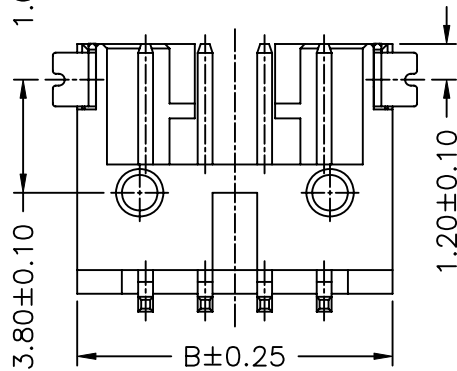


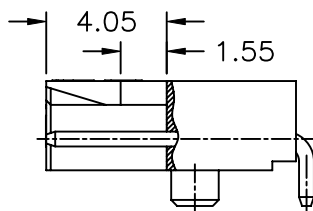
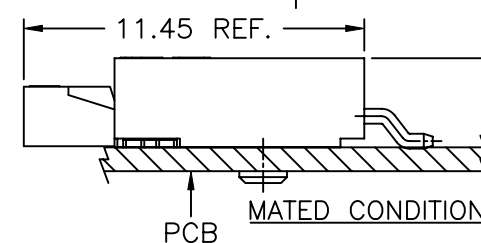
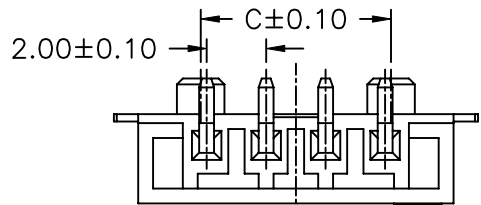
Ordering code

A2014	WR	F	XP	N	L	N	XX	X	00	L
①	②	③	④	⑤	⑥	⑦	⑧	⑨	⑩	⑪

① Series No.
 ② Connector type: WR=Right angle
 ③ Mounting type: F=SMT with through hole
 ④ No. of circuits
 ⑤ N=Halogen Free
 ⑥ Material: L=LCP
 ⑦ Color: N=Natural(Beige)
 ⑧ Plating code for contacts: G1=Gold-flash
 T1=Matte Tin-plated;
 ⑨ Plating code for solder tabs: G=Gold-flash
 T=Matte Tin-plated;
 ⑩ Option code: 00=Standard
 ⑪ Packing code: L=Tape & Reel(With Mylar)



KAPTON TAPE
(FOR PICK AND PLACE SYSTEMS)



SPECIFICATIONS
 Current Rating: 3A AC,DC
 Voltage Rating: 250V AC,DC
 Temperature Range: -25°C ~ +85°C
 Contact Resistance: 30mΩ Max.
 Insulation Resistance: 1000MΩ Min.
 Withstanding Voltage: 500V AC/minute

Circuit No.	Dimensions		
	A	B	C
04P	6.00	10.60	6.40
05P	8.00	11.60	8.40
06P	10.00	14.60	10.40
07P	12.00	16.60	12.40
08P	14.00	18.60	14.40



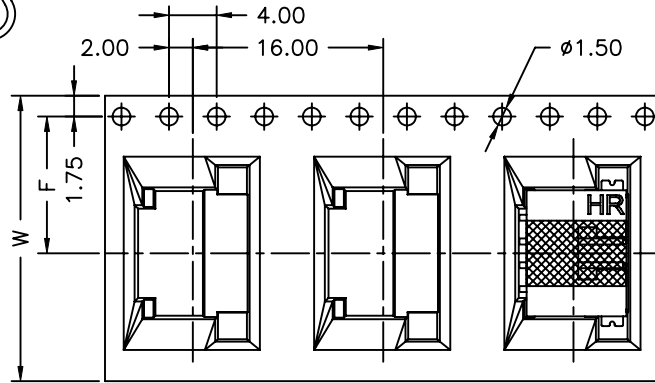
燦達電子工業股份有限公司
 JOINT TECH ELECTRONIC IND. CO., LTD.

UNIT	SCALE	SHEET
mm	1 : 1	1 of 2
DRAWN BY	APPROVED BY	
陳敏	董正一	
2010.01.04	2010.01.04	
GENERAL TOLERANCE		
A3	EN1702130003	2017.02.13 賴永強
A2	EN1512080001	2015.12.08 劉建芳
A1	EN1103030044	2011.02.22 童冠銘
A0	NEW RELEASE	2010.01.04 陳敏
REV.	DESCRIPTION	DATE NAME
		X.X±0.25
		X.XX±0.15
		X.XXX±0.05

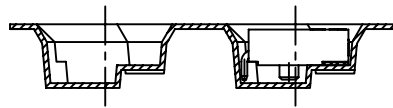
TITLE:	
2.00mm PITCH 90° WAFER	
DRAW NO.:	REV.
A2014WR-F-XPXXXXXXXXXX	A3



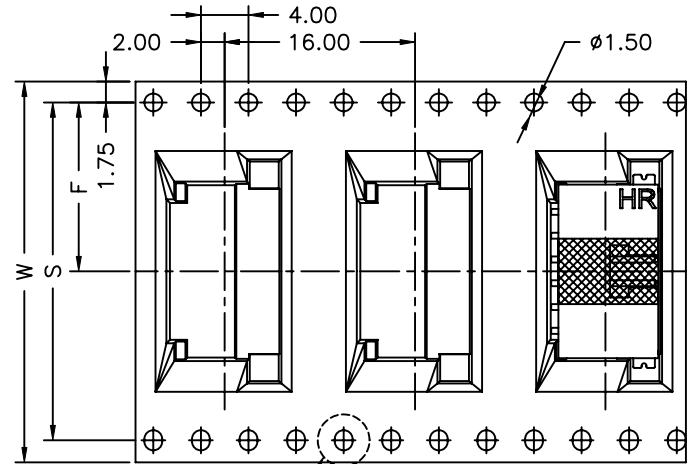
04 Contacts



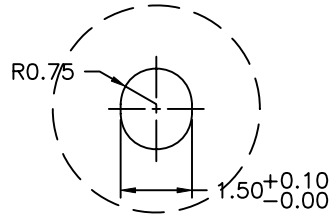
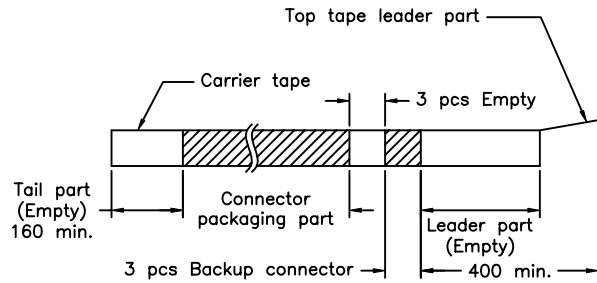
Unreeling direction →



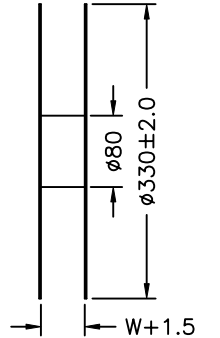
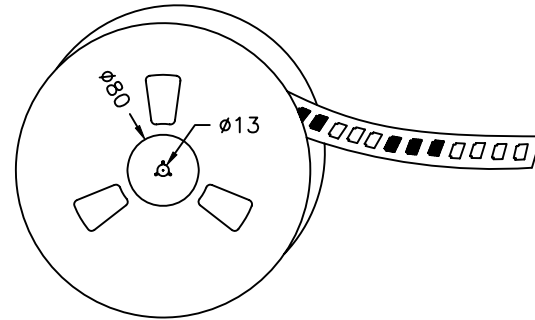
06~08 Contacts



Unreeling direction →



DETAIL "A"
SCALE 4:1



Number of Contacts	W±0.3	F±0.1	S±0.1	Q'ty/Reel
04P	24	11.50	/	800
05P	24	11.50		800
06P	32	14.20	28.40	800
07P	44	20.20	40.40	800
08P				800

				燦達電子工業股份有限公司 JOINT TECH ELECTRONIC IND. CO., LTD.	
		UNIT	SCALE	SHEET	
		mm	1 : 1	2 of 2	
		DRAWN BY		APPROVED BY	
		陳敏		董正一	
A3	EN1702130003	2017.02.13	賴永強	2010.01.04	2010.01.04
A2	EN1512080001	2015.12.08	劉建芳	GENERAL TOLERANCE	
A1	EN1103030044	2011.02.22	童冠銘	X.X±0.25	ANGLE±
A0	NEW RELEASE	2010.01.04	童冠銘	X.XX±0.15	
REV.	DESCRIPTION	DATE	NAME	X.XXX±0.05	
				TITLE: 2.00mm PITCH 90° WAFER, TAPING SPEC.	
				DRAW NO. : A2014WR-F-XPNXXXXXXXXXX	
				REV. A3	