

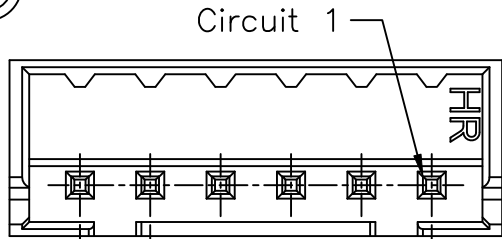


1|

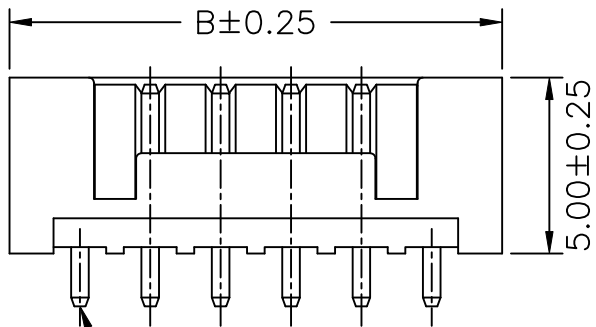
2|

3|

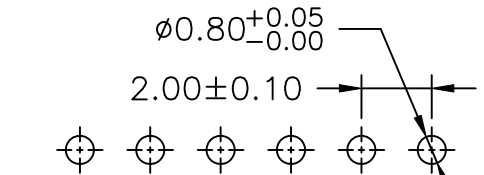
4|



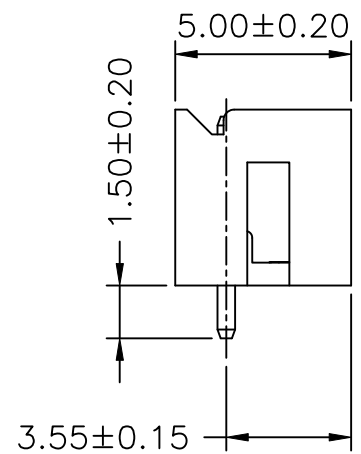
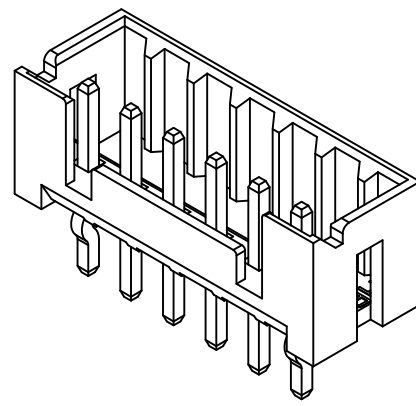
2.00±0.10
A±0.20



PIN 0.50 SQ



P.C.B LAYOUT



P/N LEGEND

A2005	WV	XP	N	6	B	G1	N	Y1	G
①	②	③	④	⑤	⑥	⑦	⑧	⑨	⑩

① Series No.
② Connector type: WV=Vertical
③ No. of circuits
④ N=Halogen Free
⑤ Material: 6=Nylon 6T
⑥ Color: B=Black
⑦ Plating code for contacts: G1=Gold-flash
⑧ Plating code: N=Non-plating
⑨ Option code: Y1=1.5mm
⑩ Packing code: G=Bag

SPECIFICATIONS

Current Rating: 3A AC,DC
Voltage Rating: 250V AC,DC
Temperature Range: -25°C ~ +85°C
Contact Resistance: 30mΩ Max.
Insulation Resistance: 1000MΩ Min.
Withstanding Voltage: 650V AC/minute
Pin Material: Brass/Gold-flash

Circuit No.	Dimensions		Circuit No.	Dimensions	
	A	B		A	B
02P	2.00	6.00	09P	16.00	20.00
03P	4.00	8.00	10P	18.00	22.00
04P	6.00	10.00	11P	20.00	24.00
05P	8.00	12.00	12P	22.00	26.00
06P	10.00	14.00	13P	24.00	28.00
07P	12.00	16.00	14P	26.00	30.00
08P	14.00	18.00	15P	28.00	32.00

				UNIT	SCALE	SHEET	TITLE:
				mm	1 : 1	1 of 1	
DRAWN BY		APPROVED BY		2.00mm PITCH 180° WAFER DRAW NO. : A2005WV-XPNXXXXXXXXX REV. A0			
劉建芳		呂長祈					
2016.08.11		2016.08.11					
GENERAL TOLERANCE							
X. X±0.25		ANGLE±					
X. XX±0.15							
X. XXX±0.05							
A0	NEW RELEASE	2016.08.03	劉建芳				
REV.	DESCRIPTION	DATE	NAME				

1|

2|

3|

4|