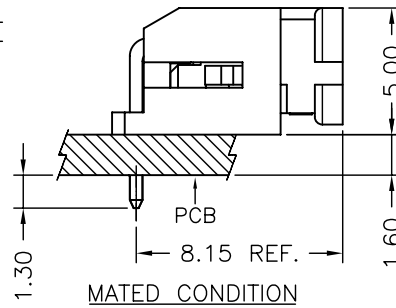
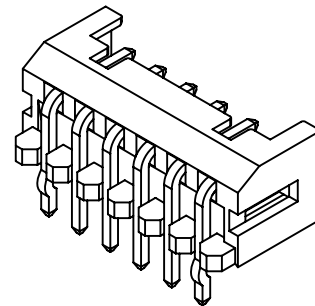


P/N LEGEND

- A2005 WRA-XP N L B G1 N K0 G
 ① ② ③ ④ ⑤ ⑥ ⑦ ⑧ ⑨ ⑩
- ① Series No.
 - ② Connector type: WRA=Right angle A type
 - ③ No. of circuits
 - ④ N=Halogen Free
 - ⑤ Material: L=LCP-V0
 - ⑥ Color: B=Natural(Black)
 - ⑦ Plating code for contacts: G1=Gold-flash
 - ⑧ Plating code: N=Non-plating
 - ⑨ Option code: K0=With pin kink
 - ⑩ Packing code: G=Bag

SPECIFICATIONS

Current Rating: 3A AC,DC
 Voltage Rating: 250V AC,DC
 Temperature Range: -25°C ~ +85°C
 Contact Resistance: 30mΩ Max.
 Insulation Resistance: 100MΩ Min.
 Withstanding Voltage: 650V AC/minute
 Pin Material: Brass



Circuit No.	Dimensions		
	A	B	C
02P	2.00	6.00	4.68
03P	4.00	8.00	6.68
04P	6.00	10.00	8.68
05P	8.00	12.00	10.68
06P	10.00	14.00	12.68
07P	12.00	16.00	14.68
08P	14.00	18.00	16.68
09P	16.00	20.00	18.68
10P	18.00	22.00	20.68
11P	20.00	24.00	22.68
12P	22.00	26.00	24.68
13P	24.00	28.00	26.68
14P	26.00	30.00	28.68
15P	28.00	32.00	30.68

燦達電子工業股份有限公司 JOINT TECH ELECTRONIC IND. CO., LTD.				UNIT	SCALE	SHEET	TITLE:
				mm	1 : 1	1 of 1	
DRAWN BY		APPROVED BY		2.00mm PITCH 90° WAFER			
陳錦展		謝瑞清					
2012.12.18		2012.12.18					
GENERAL TOLERANCE				DRAW NO. :			
X. X±0.25		ANGLE±		A2005WRA-XPXXXXXXK0X			
X. XX±0.15		▽					
X. XXX±0.05		◎		REV.	DESCRIPTION	DATE	NAME
A0	NEW RELEASE	2012.12.18	陳錦展	REV.			