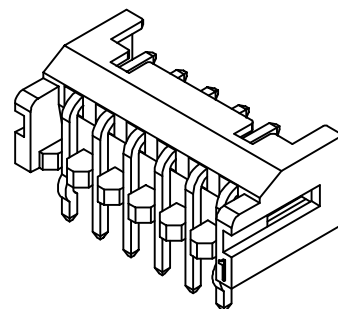
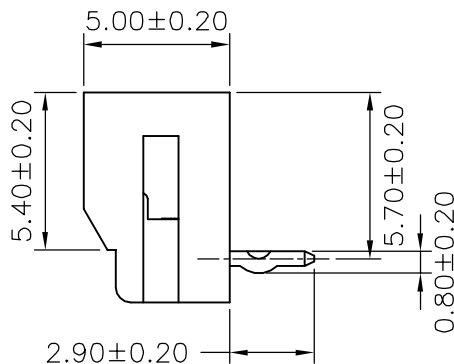


P.C.B LAYOUT



SPECIFICATIONS

Current Rating: 3A AC,DC
 Voltage Rating: 250V AC,DC
 Temperature Range: -25°C ~ +85°C
 Contact Resistance: 30mΩ Max.
 Insulation Resistance: 1000MΩ Min.
 Withstanding Voltage: 650V AC/minute
 Pin Material: Brass/Gold-flash
 Material: Nylon 6T,UL94V-0
 Color: Natural(Black)

Ordering Information & Dimensions

PART NO.	Dimensions	
	A	B
A2005WR-02P	2.00	6.00
A2005WR-03P	4.00	8.00
A2005WR-04P	6.00	10.00
A2005WR-05P	8.00	12.00
A2005WR-06P	10.00	14.00
A2005WR-07P	12.00	16.00
A2005WR-08P	14.00	18.00
A2005WR-09P	16.00	20.00
A2005WR-10P	18.00	22.00
A2005WR-11P	20.00	24.00
A2005WR-12P	22.00	26.00
A2005WR-13P	24.00	28.00
A2005WR-14P	26.00	30.00
A2005WR-15P	28.00	32.00

		UNIT	SCALE
		mm	1 of 1
		DRAWN BY	APPROVED BY
		董正一	董正一
		2005.04.16	2005.04.16
		GENERAL TOLERANCE	
B2	REVISE	2007.06.21	
B1	REVISE	2006.12.12	X. X ± 0.25
B0	NEW RELEASE	2005.11.24	X. XX ± 0.15
REV.	DESCRIPTION	DATE	X. XXX ± 0.05
		TITLE:	
		2.00mm PITCH 90° WAFER	
		DRAW NO.:	REV.
		A2005WR-XP	B2