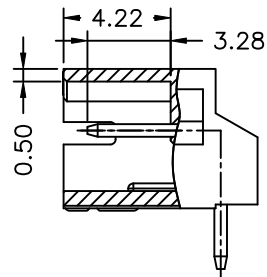
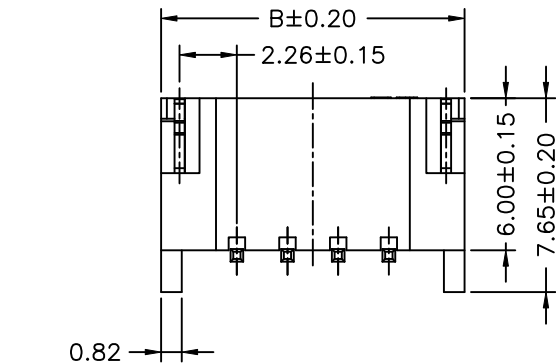
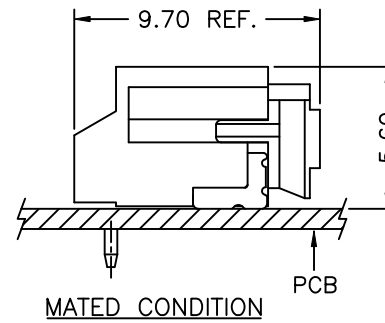
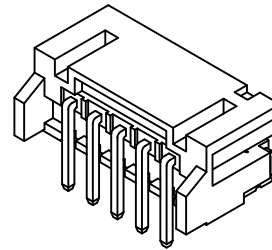
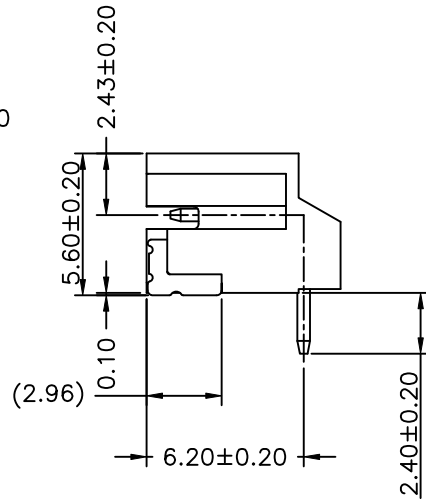
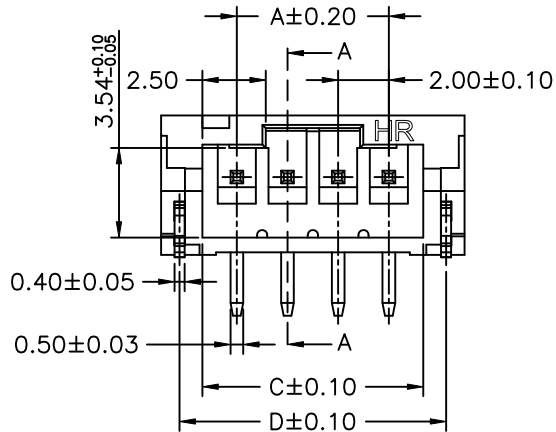


Ordering code

A2001 WRA-XP R 6 N T1 T 00 R

① Series No.  
 ② Connector type: WRA=Right angle  
 ③ No. of circuits  
 ④ R=Rohs  
 ⑤ Material: 6=Nylon 6T  
 ⑥ Color:N=Natural  
 ⑦ Plating code for contacts:T1=Matte Tin-plated  
 ⑧ Plating code for solder tabs:T=Matte Tin-plated  
 ⑨ Option code: 00=Standard  
 ⑩ Packing code:  
 R=Tape & Reel(Without Cap or Mylar)

SPECIFICATIONS  
 Current Rating: 2A AC,DC  
 Voltage Rating: 100V AC,DC  
 Temperature Range: -25°C ~ +85°C  
 Contact Resistance: 10mΩ Max.  
 Insulation Resistance: 1000MΩ Min.  
 Withstanding Voltage: 800V AC/minute  
 Pin Material: Brass/Matte Tin-plated  
 Solder Tabs: Brass/Matte Tin-plated  
 Material: Nylon 6T,UL94V-0



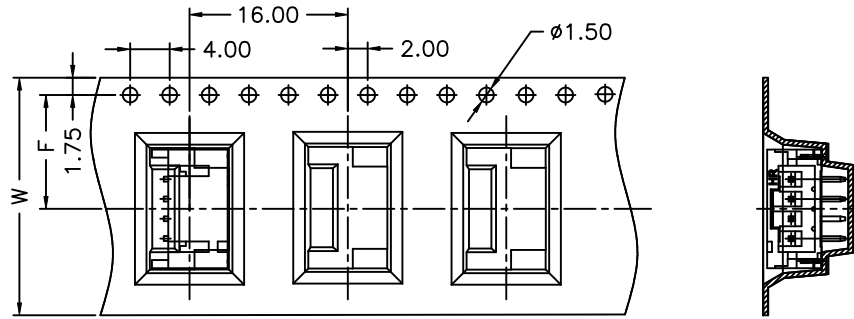
Circuit No.	Dimensions			
	A	B	C	D
02P	2.00	8.00	4.72	6.52
03P	4.00	10.00	6.72	8.52
04P	6.00	12.00	8.72	10.52
05P	8.00	14.00	10.72	12.52
06P	10.00	16.00	12.72	14.52
07P	12.00	18.00	14.72	16.52
08P	14.00	20.00	16.72	18.52
09P	16.00	22.00	18.72	20.52
10P	18.00	24.00	20.72	22.52
11P	20.00	26.00	22.72	24.52
12P	22.00	28.00	24.72	26.52
13P	24.00	30.00	26.72	28.52
14P	26.00	32.00	28.72	30.52
15P	28.00	34.00	30.72	32.52
16P	30.00	36.00	32.72	34.52

				燦達電子工業股份有限公司 JOINT TECH ELECTRONIC IND. CO., LTD.	
		UNIT	SCALE	SHEET	TITLE:
		mm	1 : 1	1 of 2	
		DRAWN BY	APPROVED BY		
		劉建芳	陳彥兆		
		2015.07.23	2015.07.23		
GENERAL TOLERANCE					
		X. X±0.25	ANGLE±		DRAW NO. : A2001WRA-XPRXXXXXXXXX
		X. XX±0.15			
		X. XXX±0.05			
A0	NEW RELEASE	2015.07.23	劉建芳		
REV.	DESCRIPTION	DATE	NAME		

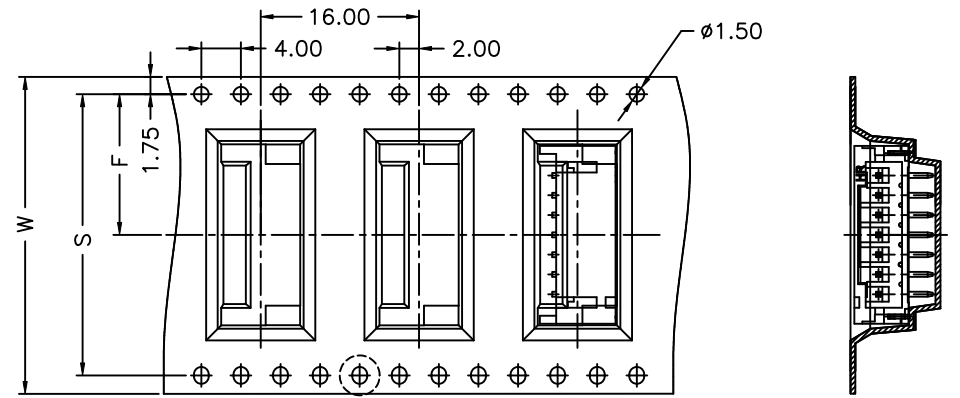
2.00mm PITCH  
 90° WAFER

REV. A0

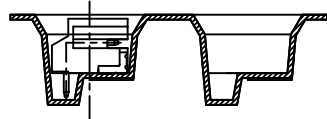
02~04P Contacts



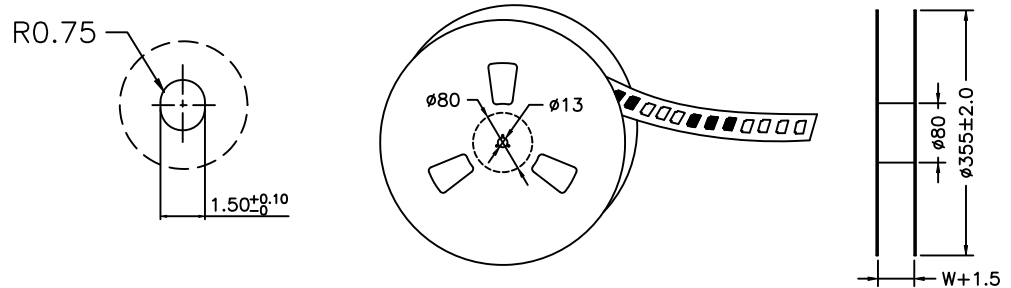
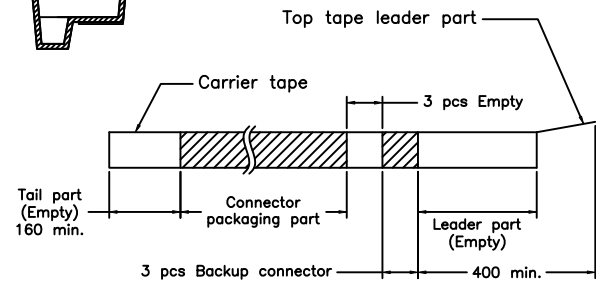
05~16P Contacts



Unreeling direction →



Unreeling direction →



Number of Contacts	W±0.3	F±0.1	S±0.1	B0±0.1	B1±0.10	Q'ty/Reel
02P	24.00	11.50	28.40	8.30	4.00	450
03P				10.30	6.00	450
04P				12.30	8.00	450
05P	32.00	14.20	40.40	14.30	10.00	450
06P				16.30	12.00	450
07P				18.30	14.00	450
08P	44.00	20.20	52.40	20.30	16.00	450
09P				22.30	18.00	450
10P				24.30	20.00	450
11P	56.00	26.20	52.40	26.30	22.00	450
12P				28.30	24.00	450
13P				30.30	26.00	450
14P				32.30	28.00	450
15P				34.30	30.00	450
16P				36.30	32.00	450

NOTE:  
Material: Transparent  
Anti-static Polystyrene.

				UNIT	SCALE	SHEET	TITLE:
				mm		2 of 3	
DRAWN BY		APPROVED BY		2.00mm PITCH 90° WAFER			
劉建芳		陳彥兆					
2015.07.23		2015.07.23		DRAW NO. : A2001WRA-XPRXXXXXXXXX			
GENERAL TOLERANCE				ANGLE±			
X. X±0.25		X. XX±0.15		REV. A0			
X. XXX±0.05							