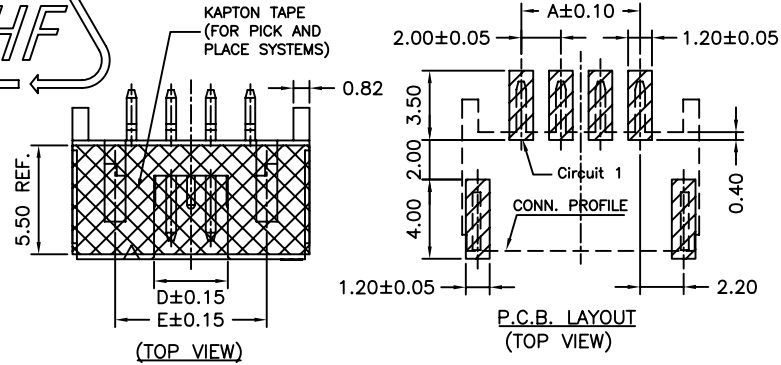




KAPTON TAPE  
(FOR PICK AND  
PLACE SYSTEMS)



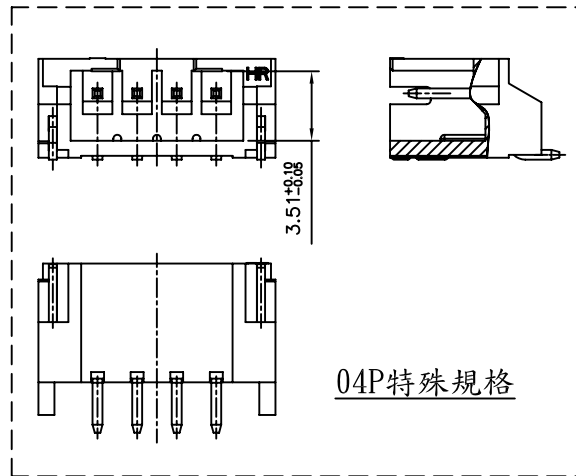
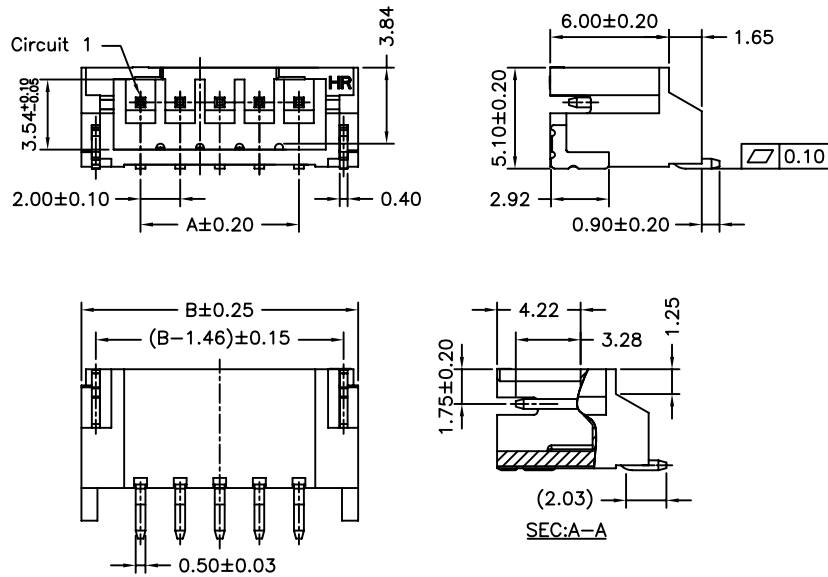
P/N LEGEND

A2001 WRA-S-XP N 6 B XX X 00 L  
① ② ③ ④ ⑤ ⑥ ⑦ ⑧ ⑨ ⑩ ⑪

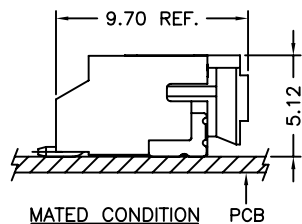
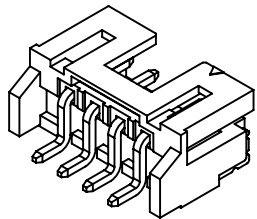
- ① Series No.
- ② Connector type: WR=Right angle A Type
- ③ Mounting type: S=SMT without boss
- ④ No. of circuits
- ⑤ N=Halogen Free
- ⑥ Material: 6=Nylon 6T
- ⑦ Color: B=Black
- ⑧ Plating code for contacts:T1=Matte Tin-plated  
G1=Gold-flash
- ⑨ Plating code for solder tabs:T=Matte Tin-plated  
G=Gold-flash
- ⑩ Option code: 00=Standard
- ⑪ Packing code: L=Tape & Reel(With Mylar)

SPECIFICATIONS

Current Rating: 2A AC,DC  
Voltage Rating: 100V AC,DC  
Temperature Range: -25°C ~ +85°C  
Contact Resistance: 10mΩ Max.  
Insulation Resistance: 1000MΩ Min.  
Withstanding Voltage: 800V AC/minute  
Pin Material: Brass/Matte Tin-plated  
or Gold-flash  
Solder Tabs: Brass/Matte Tin-plated  
or Gold-flash  
Material: Nylon 6T,UL94V-0  
Color: Black



Circuit No.	Dimensions				
	A	B	C	D	E
02P	2.00	8.00	4.72	0.70	3.66
03P	4.00	10.00	6.72	1.72	5.66
04P	6.00	12.00	8.72	3.72	7.66
05P	8.00	14.00	10.72	5.72	9.66
06P	10.00	16.00	12.72	7.72	11.66
07P	12.00	18.00	14.72	9.72	13.66
08P	14.00	20.00	16.72	11.72	15.66
09P	16.00	22.00	18.72	13.72	17.66
10P	18.00	24.00	20.72	15.72	19.66
11P	20.00	26.00	22.72	17.72	21.66
12P	22.00	28.00	24.72	19.72	23.66
13P	24.00	30.00	26.72	21.72	25.66
14P	26.00	32.00	28.72	23.72	27.66
15P	28.00	34.00	30.72	25.72	29.66
16P	30.00	36.00	32.72	27.72	31.66



				燦達電子工業股份有限公司 JOINT TECH ELECTRONIC IND. CO., LTD.				
UNIT	SCALE	SHEET	TITLE:					
mm	1 : 1	1 of 2	2.00mm PITCH 90° WAFER-SMT TYPE					
DRAWN BY 陳敏 2011.03.25	APPROVED BY 董正一 2011.03.25							
GENERAL TOLERANCE			DRAW NO. : A2001WRA-S-XPXXXXXXXXX					
A1	EN1310310376	2013.11.05				郭本思	X. X±0.25	ANGLE±
A0	NEW RELEASE	2011.03.25				陳敏	X. XX±0.15	
REV.	DESCRIPTION	DATE				NAME	X. XXX±0.05	

A

B

C

D

A

B

C

D

1

2

3

4

1

2

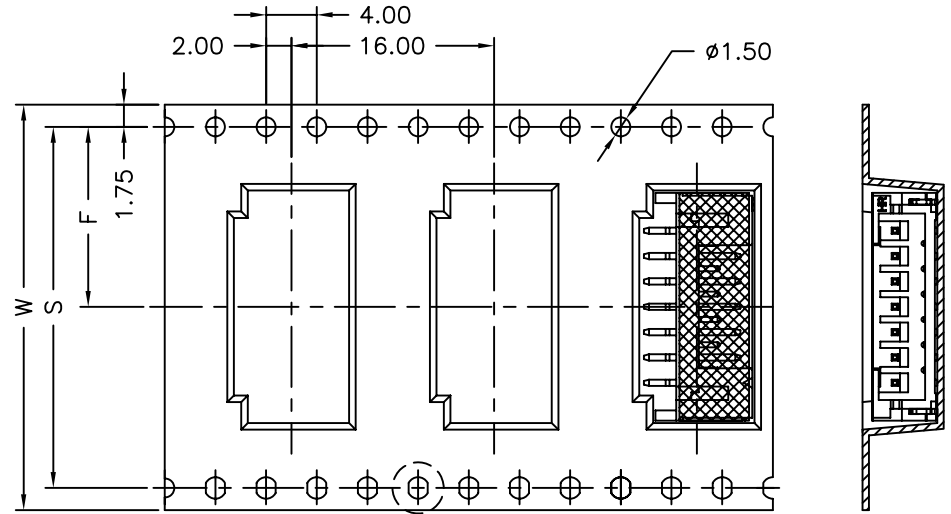
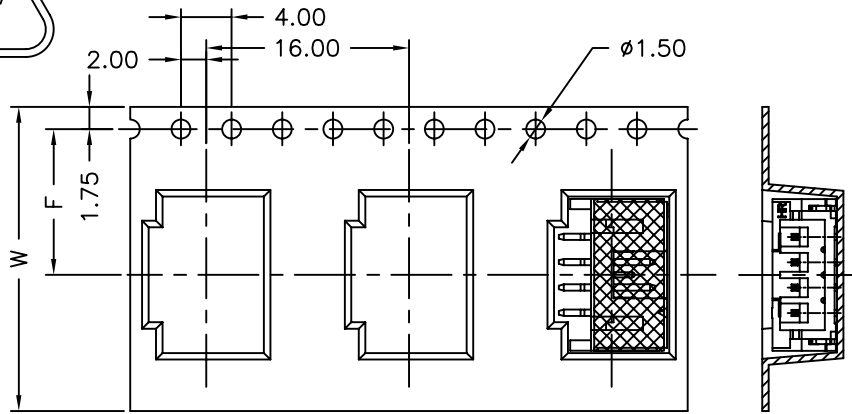
3

4



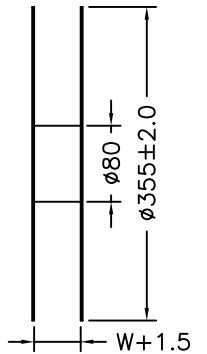
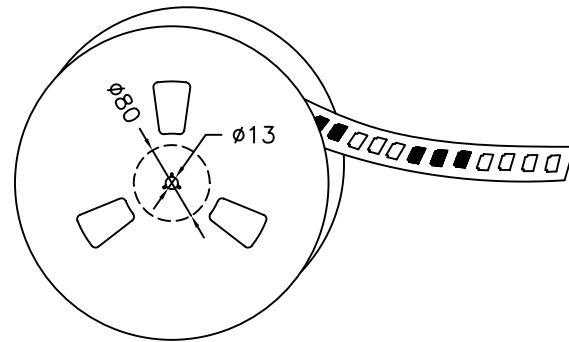
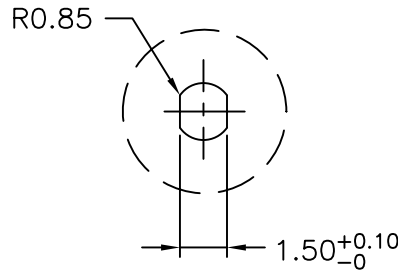
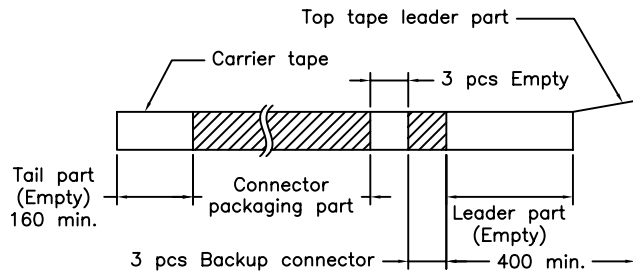
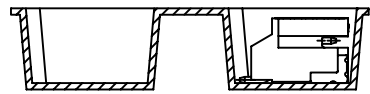
02~06 Contacts

07~16 Contacts



Unreeling direction →

Unreeling direction →



Number of Contacts	W±0.3	F±0.1	S±0.1	Q'ty/Reel
02P	16	7.50	/	1000
03P	24	11.50		1000
04P	24	11.50		1000
05P	24	11.50		1000
06P	32	14.20		28.40
07P	32	14.20	28.40	1000
08P	32	14.20	28.40	1000
09P	44	20.20	40.40	1000
10P	44	20.20	40.40	1000
11P	44	20.20	40.40	1000
12P	44	20.20	40.40	1000
13P	56	26.20	52.40	1000
14P	56	26.20	52.40	1000
15P	56	26.20	52.40	1000
16P	56	26.20	52.40	1000

NOTE:  
Material: Transparent  
Anti-static Polystyrene.

燦達電子工業股份有限公司 JOINT TECH ELECTRONIC IND. CO., LTD.				UNIT	SCALE	SHEET	TITLE:
				mm	1 : 1	2 of 2	
DRAWN BY		APPROVED BY		2.00mm PITCH 90° WAFER-SMT TYPE TAPING SPEC.			
陳敏		董正一					
2011.03.25		2011.03.25		GENERAL TOLERANCE X.X±0.25 X.XX±0.15 X.XXX±0.05			
REV.		DESCRIPTION					
A1	ENI310310376	2013.11.05	郭本思	DRAW NO.: A2001WRA-S-XPNXXXXXXXXX REV. A1			
A0	NEW RELEASE	2011.03.25	陳敏				