

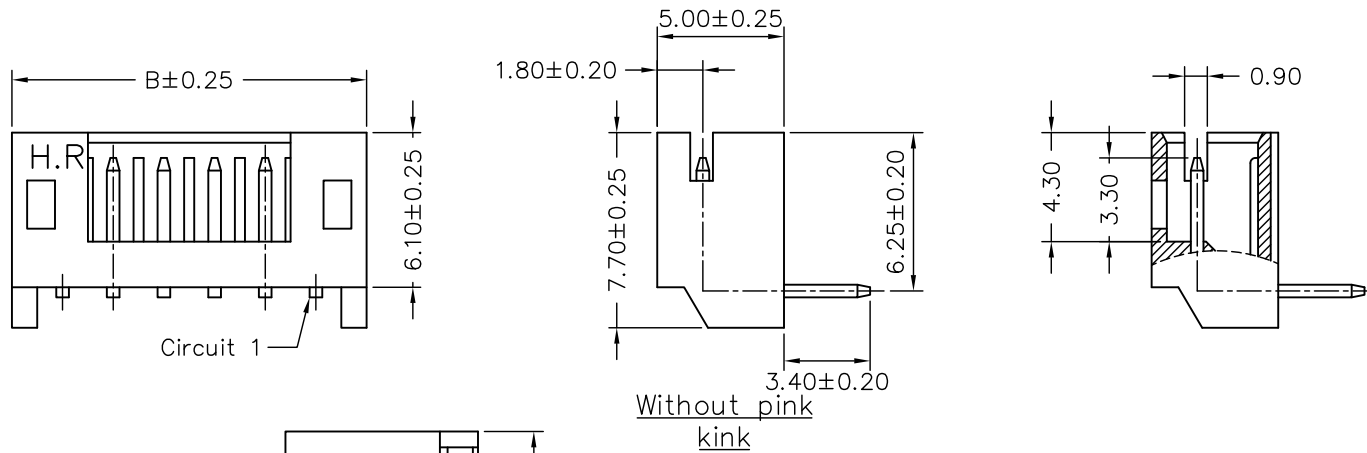
P/N LEGEND

A2001 WR-XP N 0 W T1 N 00 G

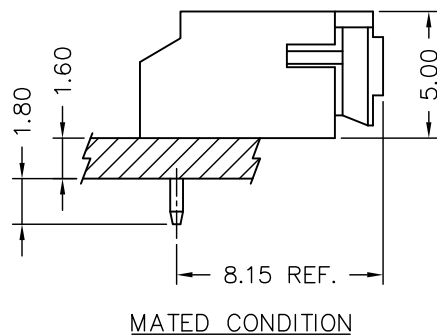
① Series No.
 ② Connector type: WR=Right angle
 ③ No. of circuits
 ④ N=Halogen Free
 ⑤ Material: 0=Nylon 66-V0
 ⑥ Color: W=White
 ⑦ Plating code for contacts: T1=Tin-plated
 ⑧ Plating code: N=Non-plating
 ⑨ Option code: 00=Without pink kink
 ⑩ Packing code: G=Bag

SPECIFICATIONS

Current Rating: 2A AC,DC
 Voltage Rating: 100V AC,DC
 Temperature Range: -25°C ~ +85°C
 Contact Resistance: 10mΩ Max.
 Insulation Resistance: 1000MΩ Min.
 Withstanding Voltage: 800V AC/minute
 Pin Material: Brass/Tin-plated
 Material: Nylon 66,UL94V-0
 Color: Natural(White)



Circuit No.	Dimensions		Circuit No.	Dimensions	
	A	B		A	B
02P	2.00	6.00	11P.00	20.00	24.00
03P	4.00	8.00	12P.00	22.00	26.00
04P	6.00	10.00	13P.00	24.00	28.00
05P	8.00	12.00	14P.00	26.00	30.00
06P	10.00	14.00	15P.00	28.00	32.00
07P	12.00	16.00	16P.00	30.00	34.00
08P	14.00	18.00	17P.00	32.00	36.00
09P	16.00	20.00	18P.00	34.00	38.00
10P	18.00	22.00			



燦達電子工業股份有限公司 JOINT TECH ELECTRONIC IND. CO., LTD.				UNIT	SCALE	SHEET	TITLE:
				mm	1 : 1	1 of 1	
DRAWN BY		APPROVED BY		2.00mm PITCH 90° WAFER			
陳敏		董正一					
2011.06.28		2011.06.28		GENERAL TOLERANCE X. X±0.25 X. XX±0.15 X. XXX±0.05			
AO	NEW RELEASE	2011.06.28	陳敏	DRAW NO.: A2001WR-XPXXXXXX00X			
REV.	DESCRIPTION	DATE	NAME				