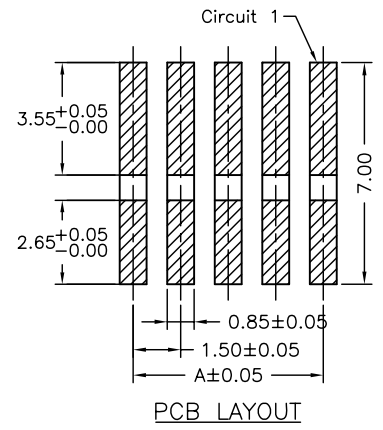
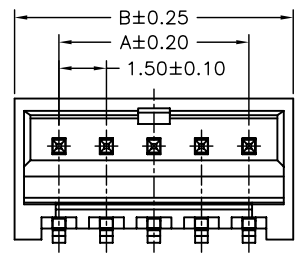


P/N LEGEND

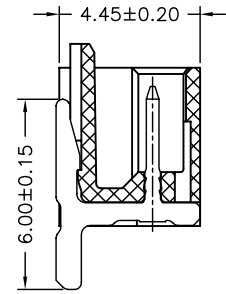
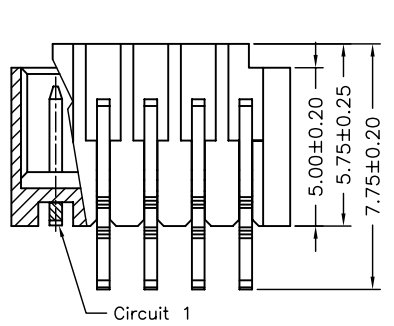
A1501	WR-S-XP	N	L	N	T1	N	00	R
①	②	③	④	⑤	⑥	⑦	⑧	⑨

① Series No.  
 ② Connector type: WR=Right angle  
 ③ Mounting type: S=SMT  
 ④ No. of circuits  
 ⑤ N=Halogen Free  
 ⑥ Material: L=LCP,94-V0  
 ⑦ Color: N=Natural(Beige)  
 ⑧ Plating code for contacts: T1=Tin-Plated  
 ⑨ Plating code: N=Non-plating  
 ⑩ Option code: 00=Norma/type  
 ⑪ Packing code: R=Tape & Reel(Without Cap or Myar)

Current Rating: 3A AC,DC  
 Voltage Rating: 350V AC,DC  
 Temperature Range: -25°C ~ +85°C  
 Contact Resistance: 20mΩ Max.  
 Insulation Resistance: 1000MΩ Min.  
 Withstanding Voltage: 500V AC/minute  
 Pin Material: Brass/Tin-Plated  
 Material: LCP,UL94V-0  
 Color: Natural(Beige)



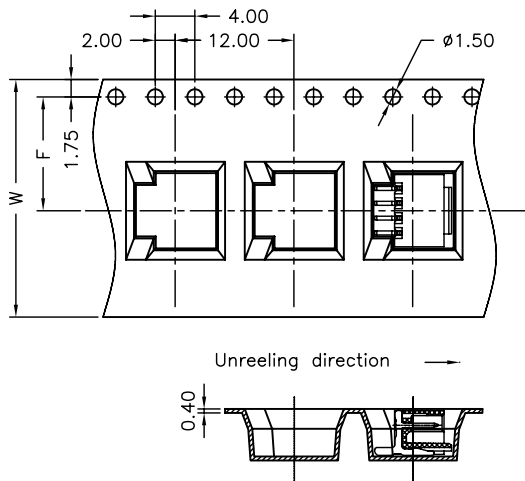
PART NO.	Dimensions	
	A	B
02P	1.50	4.30
03P	3.00	5.80
04P	4.50	7.30
05P	6.00	8.80
06P	7.50	10.30
07P	9.00	11.80
08P	10.50	13.30
09P	12.00	14.80
10P	13.50	16.30
11P	15.00	17.80
12P	16.50	19.30
13P	18.00	20.80
14P	19.50	22.30
15P	21.00	23.80



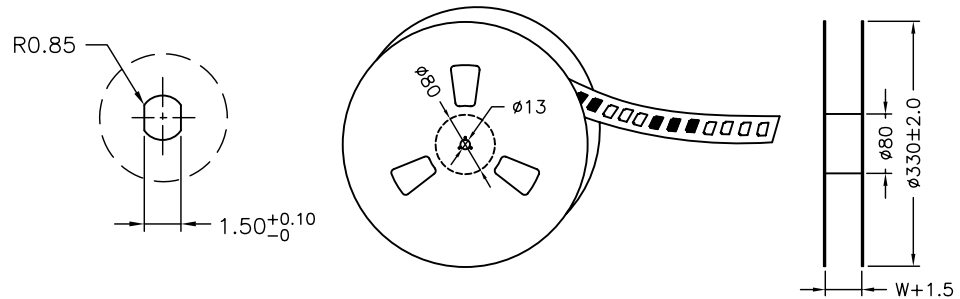
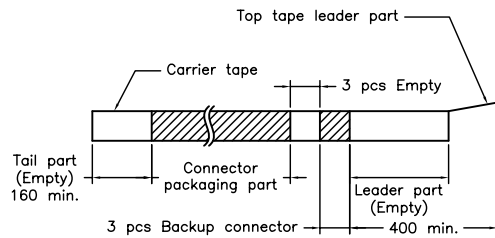
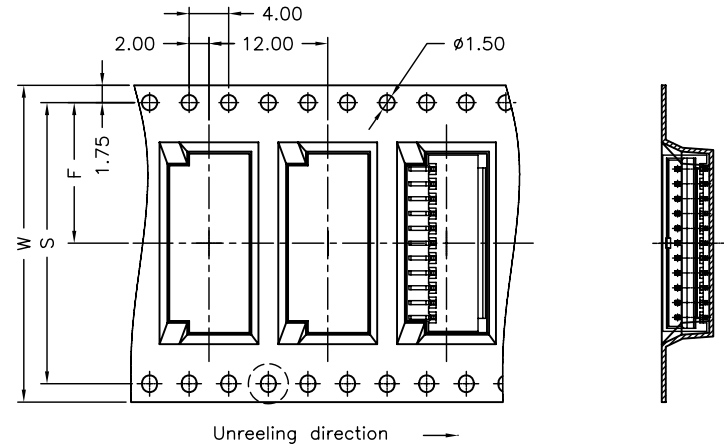
				燦達電子工業股份有限公司 JOINT TECH ELECTRONIC IND. CO., LTD.	
UNIT		SCALE	SHEET		TITLE:
mm		1 : 1	1 of 2		<b>1.50mm PITCH</b> <b>90° WAFER-SMT TYPE</b>
DRAWN BY		APPROVED BY		DRAW NO. : A1501WR-S-XPXXXXXXXXX	
唐騰鳳		張子波			
2013. 10. 17		2013. 10. 17			
GENERAL TOLERANCE					
A2	EN1403100004	2014. 02. 14	周傑亮	X. X±0. 25	ANGLE±
A1	EN1312190439	2013. 12. 19	唐騰鳳	X. XX±0. 15	
A0	NEW RELEASE	2013. 12. 05	唐騰鳳	X. XXX±0. 05	
REV.	DESCRIPTION	DATE	NAME		



2~9 Contacts



10~15 Contacts



Number of Contacts	W±0.3	F±0.1	S±0.1	Q'ty/Reel
02P	16	7.50	/	1,000
03P	16	7.50		1,000
04P	24	11.50		1,000
05P	24	11.50		1,000
06P	24	11.50		1,000
07P	24	11.50		1,000
08P	24	11.50		1,000
09P	24	11.50		1,000
10P	32	14.20		28.40
11P	32	14.20	28.40	1,000
12P	32	14.20	28.40	1,000
13P	32	14.20	28.40	1,000
14P	44	20.20	40.40	1,000
15P	44	20.20	40.40	1,000

燦達電子工業股份有限公司 JOINT TECH ELECTRONIC IND. CO., LTD.				UNIT	SCALE	SHEET	TITLE:
				mm	1 : 1	2 of 2	
DRAWN BY		APPROVED BY		GENERAL TOLERANCE		DRAW NO. :	REV.
唐騰鳳		張子波					
2013.10.17		2013.10.17		X. XX±0.15			
A2	EN1403100004	2014.02.14	周傑亮				
A1	EN1312190439	2013.12.19	唐騰鳳	REV.	DESCRIPTION	DATE	NAME
A0	NEW RELEASE	2013.12.05	唐騰鳳				