



P/N LEGEND

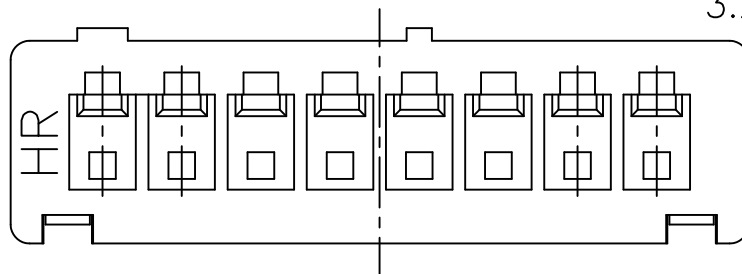
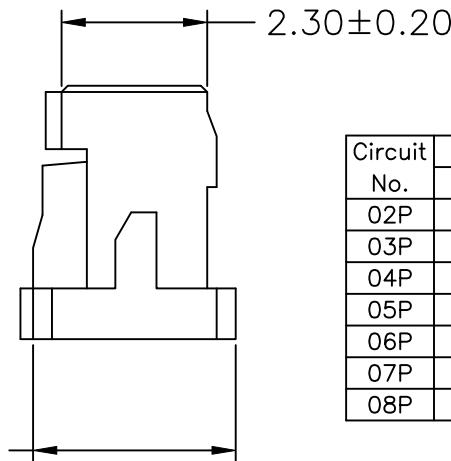
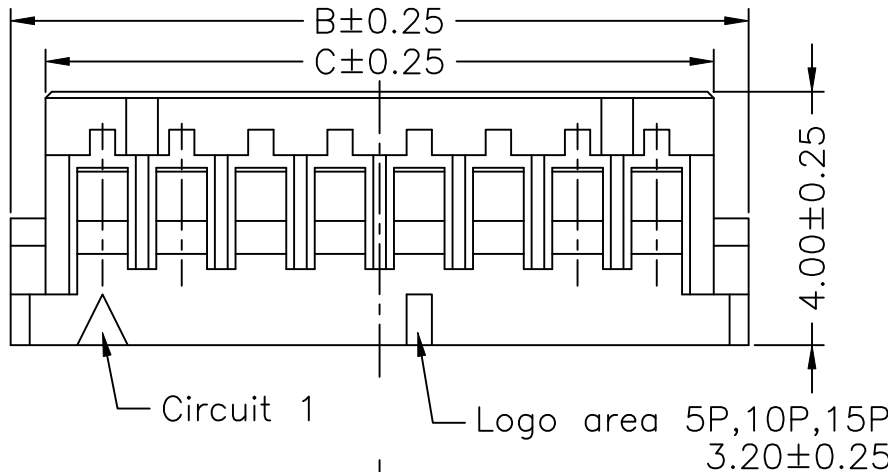
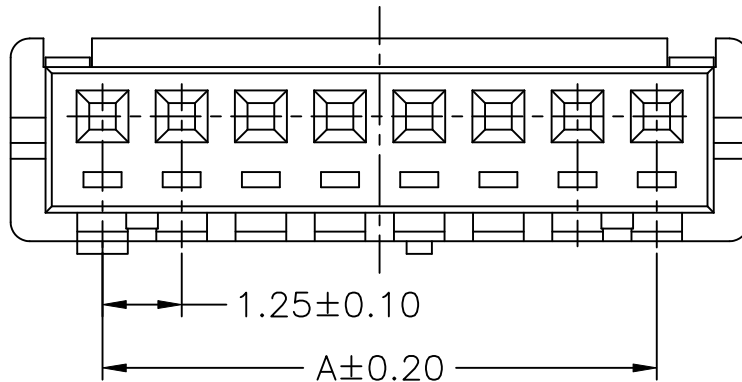
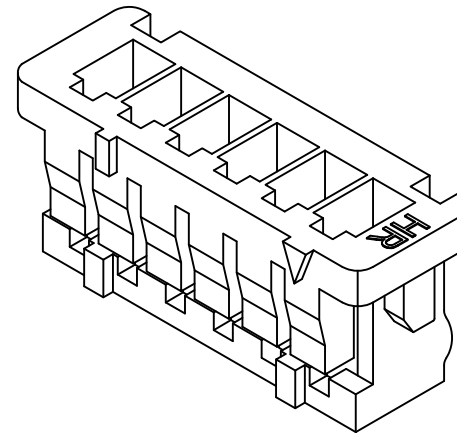
A1252 H-XP N 0 X NP N 00 G
 ① ② ③ ④ ⑤ ⑥ ⑦ ⑧ ⑨ ⑩

- ① Series No.
- ② Connector type: H=Housing
- ③ No. of circuits
- ④ N=Halogen Free
- ⑤ Material: 0=Nylon 66-V0
- ⑥ Color: W=White; B=Black
- ⑦ Plating code: NP=Non-plating
- ⑧ Plating code: N=Non-plating
- ⑨ Option code:00=Standard
- ⑩ Packing code: G=Bag

SPECIFICATIONS

Current Rating: 1A AC,DC
 Voltage Rating: 150V AC,DC
 Temperature Range: -25°C ~ +85°C
 Contact Resistance: 30mΩ Max.
 Insulation Resistance: 500MΩ Min.
 Withstanding Voltage: 500V AC/minute
 Material: Nylon 66,UL94V-0

Circuit No.	Dimensions			Circuit No.	Dimensions		
	A	B	C		A	B	C
02P	1.25	4.15	3.05	09P	10.00	12.90	11.80
03P	2.50	5.40	4.30	10P	11.25	14.15	13.05
04P	3.75	6.65	5.55	11P	12.50	15.40	14.30
05P	5.00	7.90	6.80	12P	13.75	16.65	15.55
06P	6.25	9.15	8.05	13P	15.00	17.90	16.80
07P	7.50	10.40	9.30	14P	16.25	19.15	18.05
08P	8.75	11.65	10.55	15P	17.50	20.40	19.30



燦達電子工業股份有限公司 JOINT TECH ELECTRONIC IND. CO., LTD.				UNIT	SCALE	SHEET	TITLE:
				mm	1 : 1	1 of 1	
DRAWN BY	APPROVED BY	DRAW NO. : A1252H-XPNXXXXXXXXX		REV. A1			
劉建芳	陳彥兆						
GENERAL TOLERANCE				ANGLE±		1.25mm PITCH SINGLE ROW HOUSING	
A1	EN1607210002	2016.07.21	Emily	X.X±0.25			
A0	NEW RELEASE	2015.09.21	劉建芳	X.XX±0.15			
REV.	DESCRIPTION	DATE	NAME	X.XXX±0.05			