

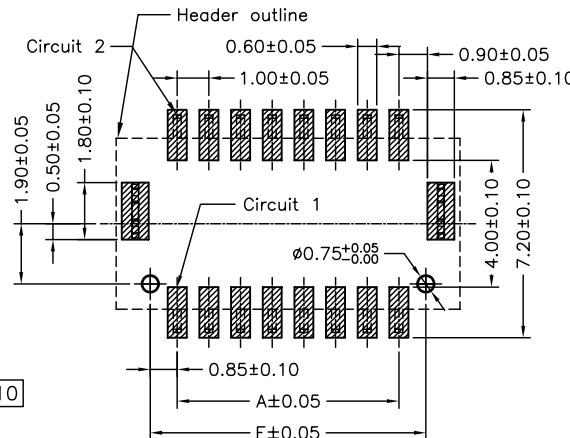
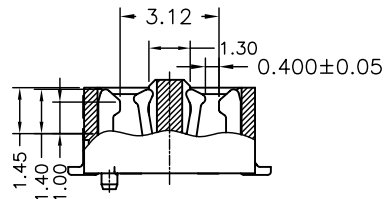
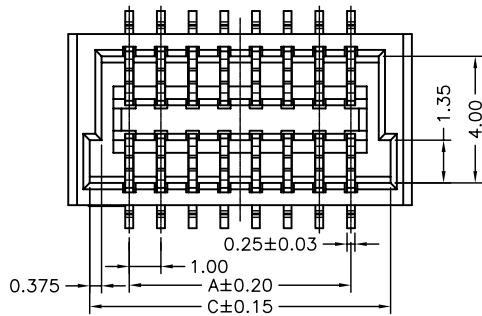
P/N LEGEND

A1026	WVA-SF-2XNP	N	L	N	XX	X	00	L
①	②	③	④	⑤	⑥	⑦	⑧	⑨

① Series No.  
 ② Connector type: WVA=Vertical A Type  
 ③ Mounting type: SF=SMT with boss  
 ④ No. of circuits  
 ⑤ N=Halogen Free  
 ⑥ Material: L=LCP  
 ⑦ Color: N=Natural(Beige)  
 ⑧ Plating code for contacts:  
 T1=Matte Tin-plated; G1=Gold-flash  
 ⑨ Plating code for solder tabs:  
 T=Matte Tin-plated; G=Gold-flash  
 ⑩ Option code: 00=Standard  
 ⑪ Packing code: L=Tape & Reel(With Cap)

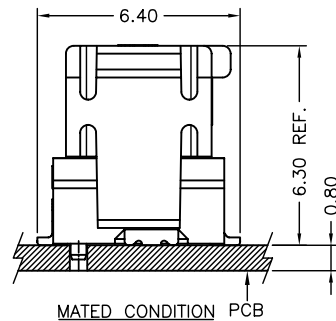
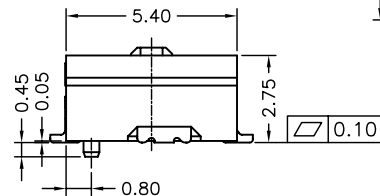
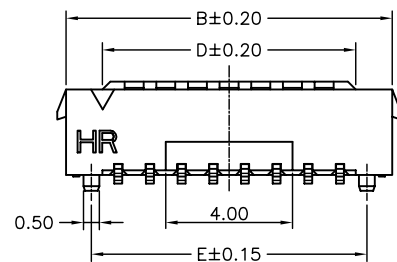
SPECIFICATIONS

Current Rating: 1A AC,DC  
 Voltage Rating: 50V AC,DC  
 Temperature Range: -25°C ~ +85°C  
 Contact Resistance: 20mΩ Max.  
 Insulation Resistance: 100MΩ Min.  
 Withstanding Voltage: 500V AC/minute  
 Pin Material: Phosphor Bronze  
 Solder Tabs: Brass  
 Wafer: LCP,UL94V-0  
 Cap: LCP,UL94V-0 Black

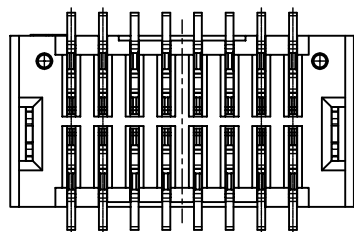


PCB LAYOUT

Circuit No.	Dimensions				
	A	B	C	D	E
2X05P	4.00	7.30	6.50	5.00	5.70
2X08P	7.00	10.30	9.50	8.00	8.70
2X10P	9.00	13.30	11.50	10.00	10.70
2X15P	14.00	17.30	16.50	15.00	15.70
2X20P	19.00	22.30	21.50	20.00	20.70
2X25P	24.00	27.30	26.50	25.00	25.70
2X30P	29.00	32.30	31.50	30.00	30.70



MATED CONDITION PCB

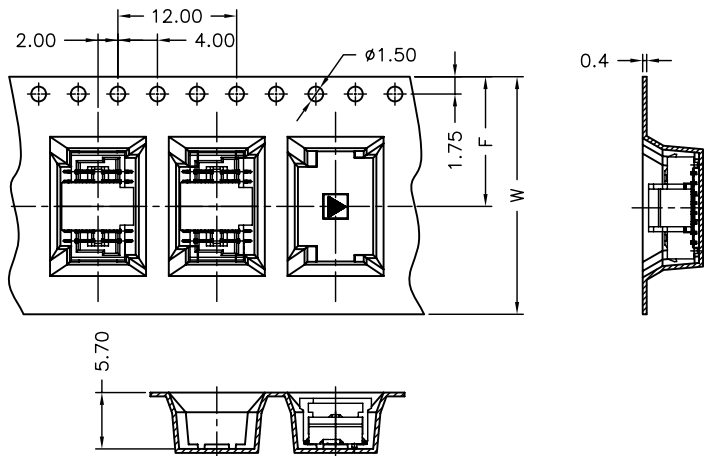


				燦達電子工業股份有限公司 JOINT TECH ELECTRONIC IND. CO., LTD.	
UNIT		SCALE	SHEET		TITLE:
mm		1 : 1	1 of 2		1.00mm PITCH 180° WAFER-SMT TYPE, DUAL ROW
DRAWN BY 周傑亮		APPROVED BY 董正一		2011.12.2	
GENERAL TOLERANCE					
A3	EN1403050002	2014.02.17	周傑亮	X. X±0.25	ANGLE±
A2	EN1202170032	2012.02.17	周傑亮	X. XX±0.15	
A1	EN112290539	2011.12.29	周傑亮	X. XXX±0.05	
A0	NEW RELEASE	2011.12.2	周傑亮		
REV.	DESCRIPTION	DATE	NAME		

DRAW NO.: A1026WVA-SF-2XNPXXXXXXXXX REV. A3

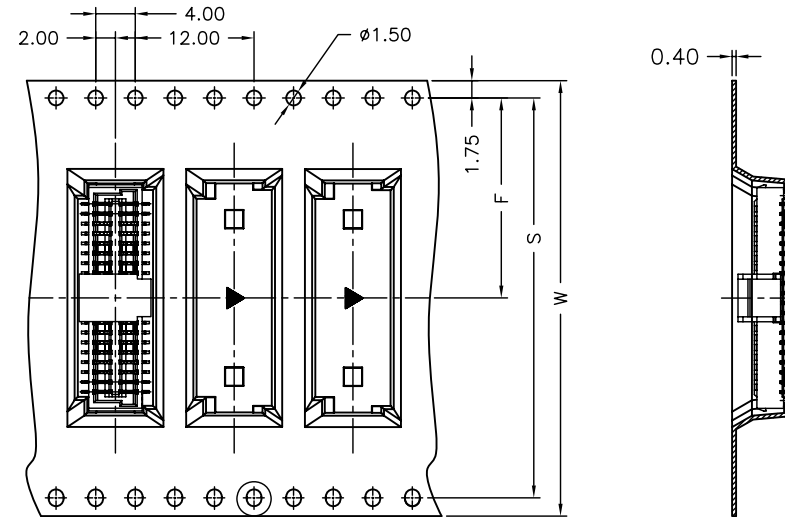


### 2X05~2X08 Contacts

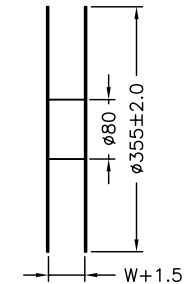
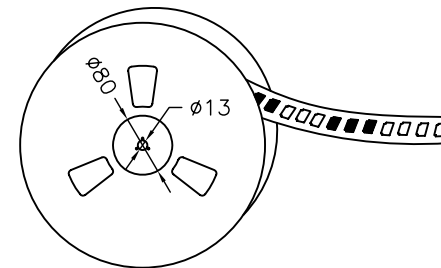
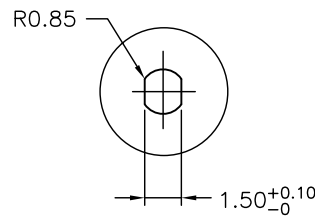
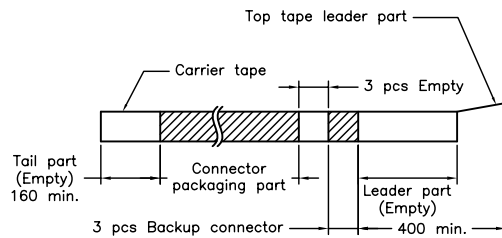


Unreeling direction →

### 2X10~2X30 Contacts



Unreeling direction →



Number of Contacts	W±0.3	F±0.1	S±0.1	Q'ty/Reel
2X05P	24	11.50	/	1,000
2X08P	24	11.50		1,000
2X10P	32	14.20	28.40	1,000
2X15P	32	14.20	28.40	1,000
2X20P	44	20.20	40.40	1,000
2X25P	44	20.20	40.40	1,000
2X30P	56	26.20	52.40	1,000

NOTE:  
Material: Transparent  
Anti-static Polystyrene.

				燦達電子工業股份有限公司 JOINT TECH ELECTRONIC IND. CO., LTD.		
				mm	1 : 1	2 of 2
				DRAWN BY		APPROVED BY
				周傑亮		董正一
				2011.12.2		2011.12.2
				GENERAL TOLERANCE		
A3				X. X±0.25		ANGLE±
A2				X. XX±0.15		
A1				X. XXX±0.05		
A0						
REV.	DESCRIPTION	DATE	NAME			

TITLE:  
1.00mm PITCH  
180° WAFER-SMT TYPE,  
DUAL ROW

DRAW NO.: A1026WVA-SF-2XNPXXXXXXX REV. A3