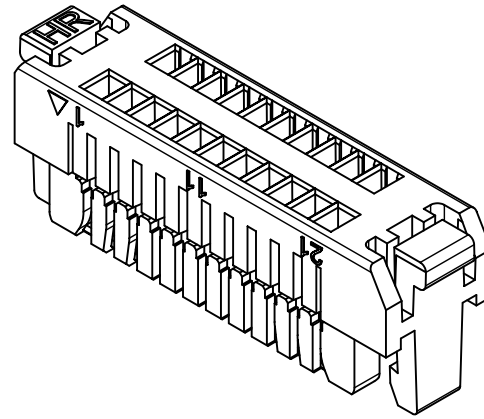
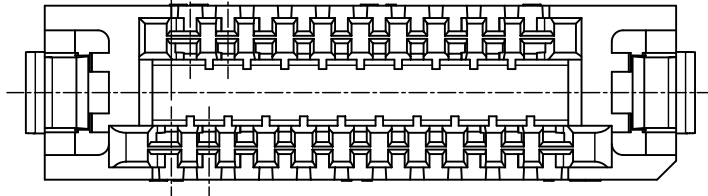




0.50±0.10



Ordering code

A1009	HA	XP	N	0	W	NP	N	00	G
①	②	③	④	⑤	⑥	⑦	⑧	⑨	⑩

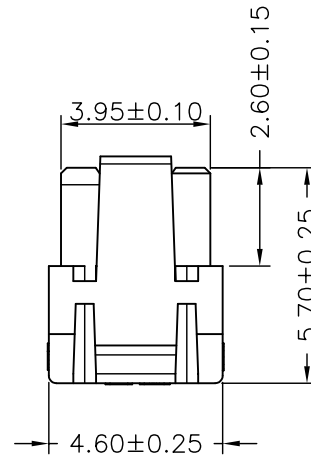
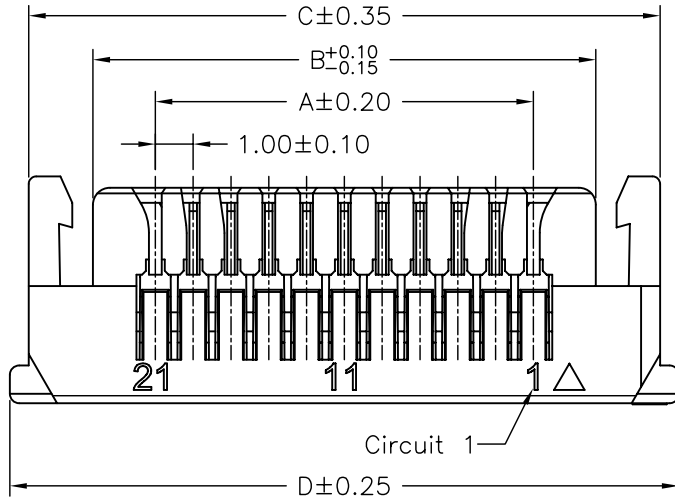
① Series No.  
 ② Connector type: HA=Housing with lock structure  
 ③ No. of circuits  
 ④ N=Halogen Free  
 ⑤ Material: 0=Nylon 66-V0  
 ⑥ Color: W=White  
 ⑦ Plating code: NP=Non-plating  
 ⑧ Plating code: N=Non-plating  
 ⑨ Option code: 00=Standard  
 ⑩ Packing code: G=Bag

A

B

C

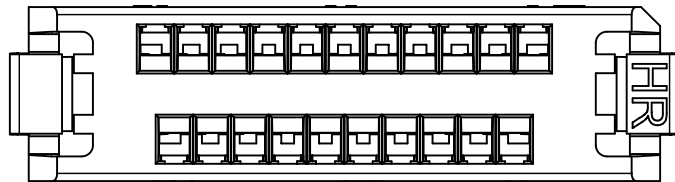
D



SPECIFICATIONS

Current Rating: 1A AC,DC  
 Voltage Rating: 50V AC,DC  
 Temperature Range: -25°C ~ +85°C  
 Contact Resistance: 20mΩ Max.  
 Insulation Resistance: 100MΩ Min.  
 Withstanding Voltage: 500V AC/minute  
 Material: Nylon 66,UL94V-0  
 Color: White

Circuit No.	Dimensions			
	A	B	C	D
21P	10.00	13.30	16.70	17.70
31P	15.00	18.30	21.70	22.70



燦達電子工業股份有限公司 JOINT TECH ELECTRONIC IND. CO., LTD.				UNIT	SCALE	SHEET	TITLE:
				mm		1 of 1	
DRAWN BY		APPROVED BY		1.00mm PITCH HOUSING, LOCK TYPE			
程夢燕		董正一					
2009.11.03		2009.11.03					
GENERAL TOLERANCE				DRAW NO. :			
A0		NEW RELEASE		2009.11.03		A1009HA-XPNXXXXXXX	
REV.		DESCRIPTION		DATE		REV. A0	

1|

2|

3|

4|