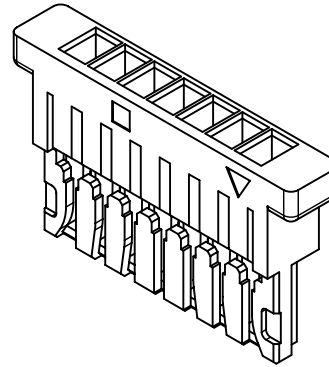
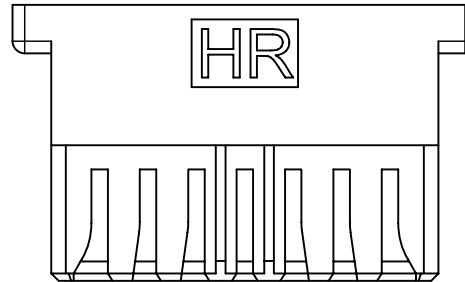
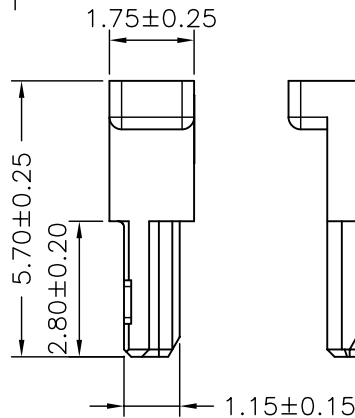
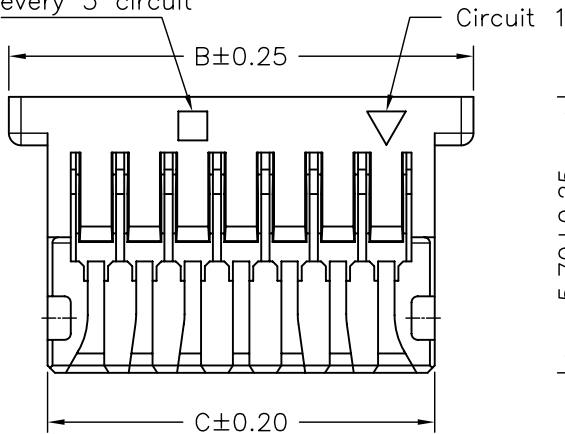


Marking by every 5 circuit



Ordering code

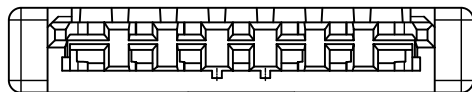
A1009	H	XP	N	0	X	NP	N	00	G
①	②	③	④	⑤	⑥	⑦	⑧	⑨	⑩

① Series No.
 ② Connector type: H=Housing
 ③ No. of circuits
 ④ N=Halogen Free
 ⑤ Material: 0=Nylon 66-V0
 ⑥ Color: W=White; B=Black
 ⑦ Plating code: NP=Non-plating
 ⑧ Plating code: N=Non-plating
 ⑨ Option code: 00=Standard
 ⑩ Packing code: G=Bag

SPECIFICATIONS

Current Rating: 1A AC,DC
 Voltage Rating: 50V AC,DC
 Temperature Range: -25°C ~ +85°C
 Contact Resistance: 20mΩ Max.
 Insulation Resistance: 100MΩ Min.
 Withstanding Voltage: 500V AC/minute
 Material: Nylon 66,UL94V-0
 Color: White or Black

Circuit No.	Dimensions		
	A	B	C
02P	---	4.60	3.00
06P	5.00	8.60	7.00
07P	6.00	9.60	8.00
14P	13.00	16.60	15.00
16P	15.00	18.60	17.00
20P	19.00	22.60	21.00
22P	21.00	24.60	23.00
26P	25.00	28.60	27.00
30P	29.00	32.60	31.00



				燦達電子工業股份有限公司 JOINT TECH ELECTRONIC IND. CO., LTD.	
UNIT		SCALE	SHEET		TITLE:
mm			1 of 1		1.00mm PITCH HOUSING
DRAWN BY		APPROVED BY		DRAW NO. : A1009H-XPNXXXXXXXXX	
朱恆秀		謝瑞清			
2008.09.23		2008.09.23			
GENERAL TOLERANCE					
A1	EN0911030534	2009.11.03	X.X±0.25	ANGLE±	
A0	NEW RELEASE	2008.09.23	X.XX±0.15		
REV.	DESCRIPTION	DATE	X.XXX±0.05		