

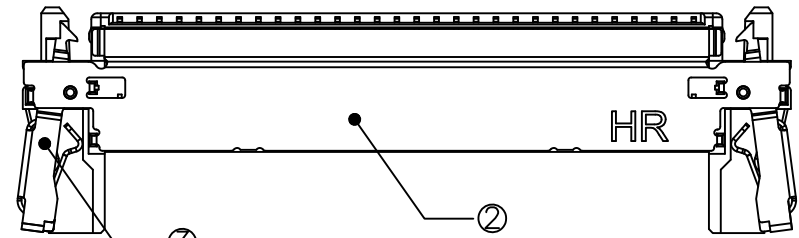
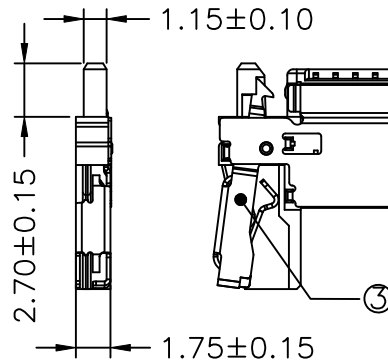
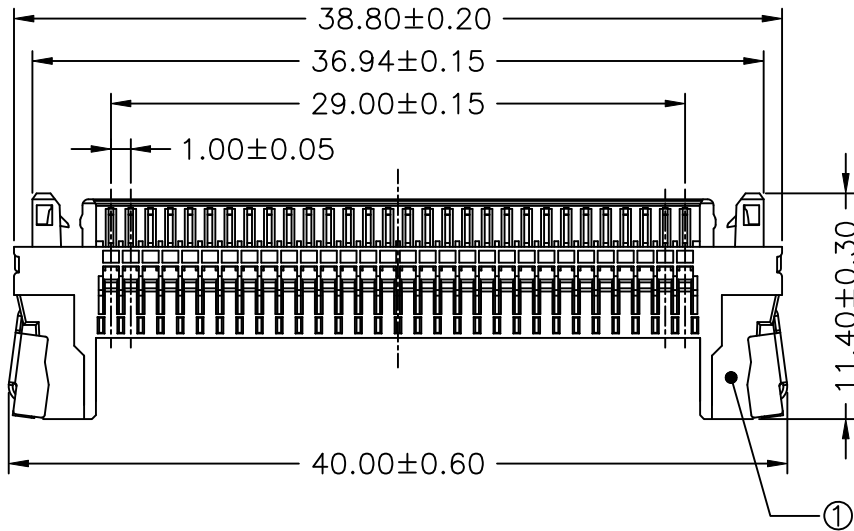
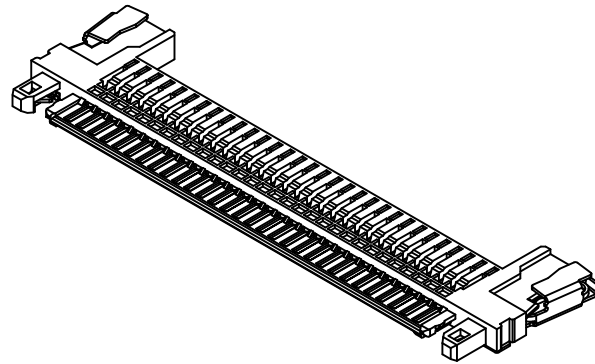


P/N LEGEND

A1008	H-30P	N	0	W	NP	N	00	B	
①	②	③	④	⑤	⑥	⑦	⑧	⑨	⑩
① Series No.									
② Connector type: H=Housing									
③ No. of circuits									
④ N=Halogen Free									
⑤ Material: 0=Nylon 66-V0									
⑥ Color: W=White									
⑦ Plating code: NP=Non-plating									
⑧ Plating code: N=Non-plating									
⑨ Option code: 00=Standard									
⑩ Packing code: B=Tray									

SPECIFICATIONS

Current Rating: 1A AC,DC
 Voltage Rating: 200V AC,DC
 Temperature Range: -25°C ~ +85°C
 Contact Resistance: 40mΩ Max.
 Insulation Resistance: 100MΩ Min.
 Withstanding Voltage: 500V AC/minute



No.	Description	Material	Color
1	Insulator	Nylon 66,UL94V-0	Natural(White)
2	Ground plate	Stainless	---
3	Lock lever	Stainless	---

				燦達電子工業股份有限公司 JOINT TECH ELECTRONIC IND. CO., LTD.			
		UNIT	SCALE	SHEET		TITLE:	
		mm	1 : 1	1 of 1		1.00mm PITCH HOUSING	
		DRAWN BY		APPROVED BY			
		陳敏		董正一			
		2010.12.06		2010.12.06		DRAW NO. : A1008H-30PNXXXXXXXXX	
		GENERAL TOLERANCE					
A1	EN1611090001	2016.06.14	楚新璋	X.X±0.25	ANGLE±		
A0	NEW RELEASE	2010.12.06	陳敏	X.XX±0.15			
REV.	DESCRIPTION	DATE	NAME	X.XXX±0.05	REV. A1		