

APPLICABLE P.C.B. LAYOUT (REF.)

P/N LEGEND

<u>A0505</u>	<u>WR</u>	<u>S</u>	<u>NP</u>	<u>N</u>	<u>L</u>	<u>B</u>	<u>H2</u>	<u>T</u>	<u>00</u>	<u>R</u>
①	②	③	④	⑤	⑥	⑦	⑧	⑨	⑩	⑪

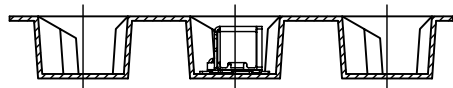
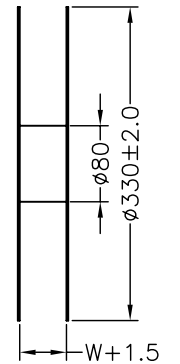
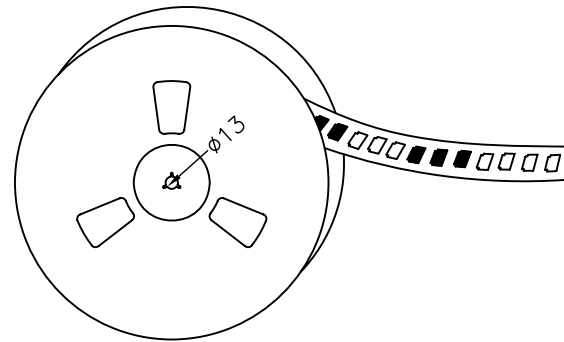
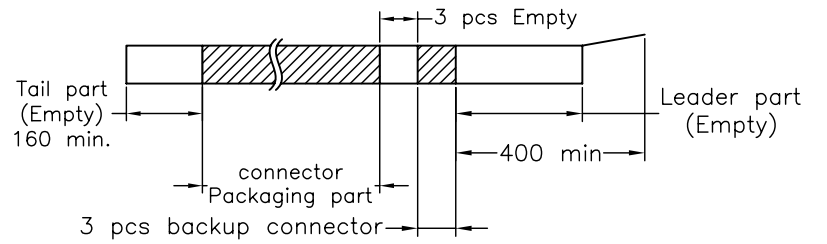
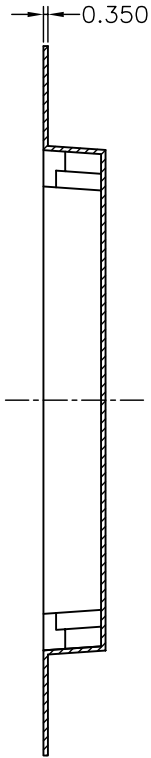
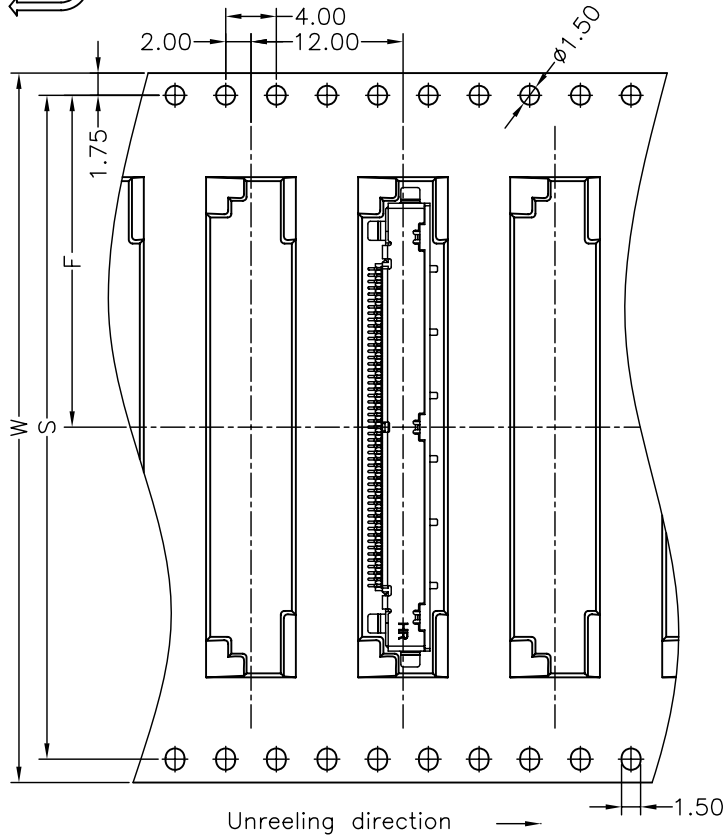
① Series No.
 ② Connector type: WR=Right Angle
 ③ Mounting type: S=SMT Type
 ④ No. of circuits
 ⑤ N=Halogen Free
 ⑥ Material: L=LCP
 ⑦ Color: B=Black
 ⑧ Plating code for contacts: H2=Gold-plated 3u" on Contact Area, Matte Tin-plated on Solder Area
 ⑨ Plating code for solder tabs: T= Matte Tin-plated
 ⑩ Option code: 00=Standard
 ⑪ Packing code: R=Tape & Reel(Without Cap or Mylar)

SPECIFICATIONS

Current Rating: 0.7A AC,DC
 Voltage Rating: 100V AC,DC
 Temperature Range: -25°C ~ +85°C
 Contact Resistance: 50mΩ Max.
 Insulation Resistance: 100MΩ Min.
 Withstanding Voltage: 500V AC/minute
 Pin Material: Phosphor Bronze/Gold-Plated 3u" on Contact Area, Tin-Plated on Solder Area
 Shell Material: Phosphor Bronze/Matte Tin-plated
 Insulator Material: LCP, UL 94V-0
 Color: Black

Circuit No.	Dimensions				
	A	B	C	D	E
41P	20.00	26.00	30.35	32.85	4.00
51P	25.00	31.00	35.35	37.85	5.00

				燦達電子工業股份有限公司 JOINT TECH ELECTRONIC IND. CO., LTD.	
UNIT		SCALE	SHEET		
mm		1 : 1	1 of 2		
DRAWN BY		APPROVED BY		TITLE:	
周傑亮		陳彥兆		LVDS, Receptacle,	
2014.09.19		2014.09.19		Pitch 0.50mm,	
GENERAL TOLERANCE					
X. X±0.25		ANGLE±		DRAW NO. : A0505WR-S-XPNLBH2T00R	
X. XX±0.15					
X. XXX±0.05					
A0	NEW RELEASE	2014.09.19	周傑亮	REV. A0	
REV.	DESCRIPTION	DATE	NAME		



Number of Contacts	W±0.3	F±0.1	S±0.1	Q'ty/Reel
41P	56	26.20	52.40	1,000
51P	56	26.20	52.40	1,000

燦達電子工業股份有限公司 JOINT TECH ELECTRONIC IND. CO., LTD.				UNIT	SCALE	SHEET	TITLE: LVDS, Receptacle, Pitch 0.50mm, Right Angle, SMT Type, Assembly
				mm	1 : 1	2 of 2	
DRAWN BY		APPROVED BY		GENERAL TOLERANCE X. X±0.25 X. XX±0.15 X. XXX±0.05		DRAW NO. : A0505WR-S-XPNLBH2T00R	
周傑亮		陳彥兆					
A0	NEW RELEASE	2014.09.19	周傑亮	ANGLE±		REV.	A0